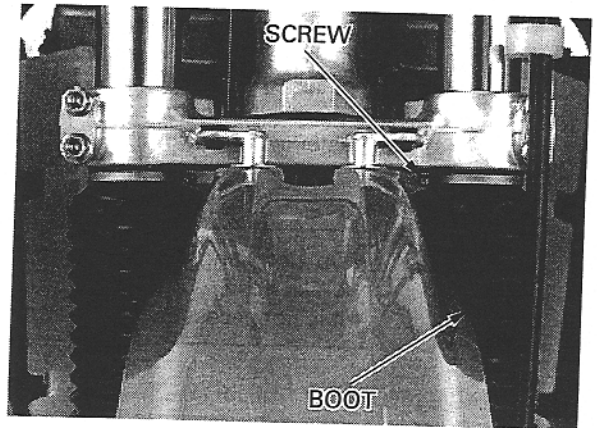
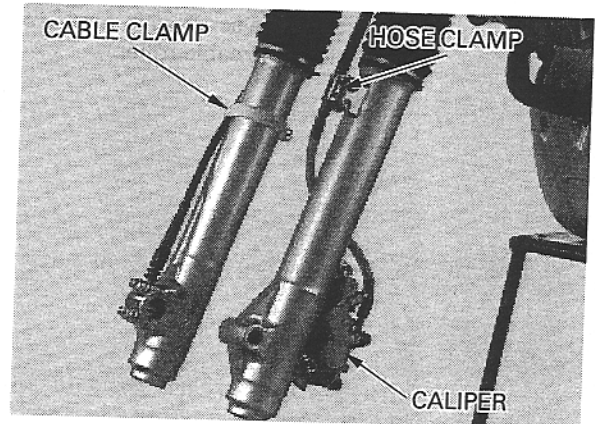


Push the fork boot up until they just touch the steering stem and tighten the boot clamp, with the clamp screw.



Install the following:

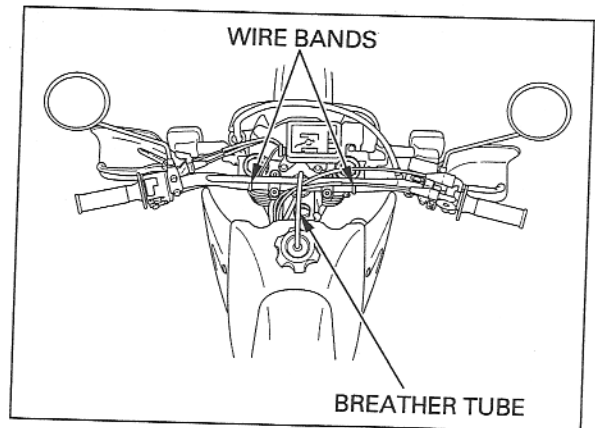
- Speedometer cable clamp
- Brake hose clamp
- Front brake caliper (page 16-15)
- Front wheel (page 14-8)
- Front visor (page 2-3)



## HANDLEBAR

### REMOVAL

Pull the fuel tank breather tube from the steering stem nut.  
Release the wire bands from the handlebar.



Remove the screws and left handlebar switch housing from the handlebar.

Remove the bolts, clutch lever holder and clutch lever bracket.

Remove the left handlebar grip.

