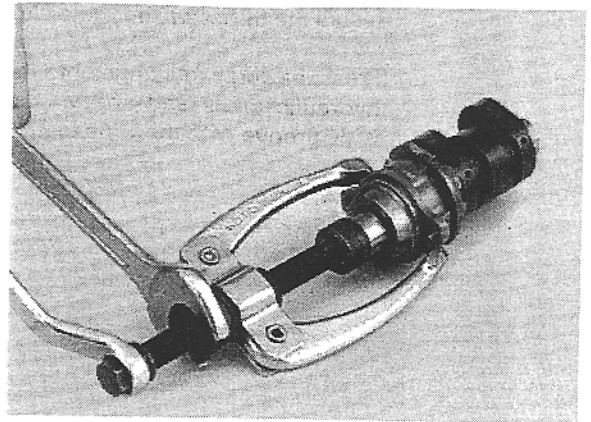


### DECOMPRESSOR SYSTEM DISASSEMBLY

Remove the cam sprocket flange from the camshaft using a bearing puller.

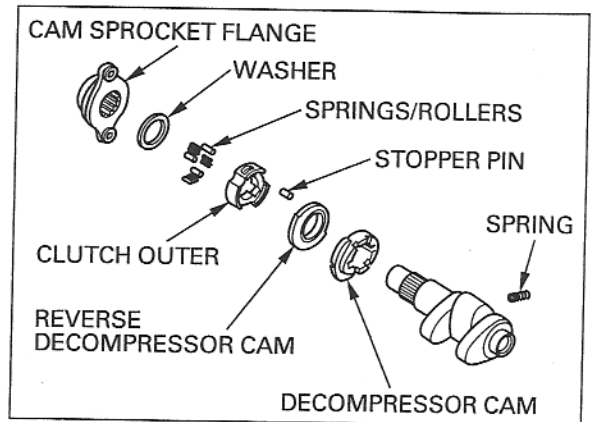


Remove the following:

- Thrust washer
- One way clutch (clutch outer, rollers and springs)
- Stopper pin
- Reverse decompressor cam
- Decompressor cam
- Spring

#### INSPECTION

Check the one way clutch outer, rollers and springs for wear or damage.  
Check both cams for wear or damage.  
Inspect the cam's sliding surface on the camshaft for scoring or wear.

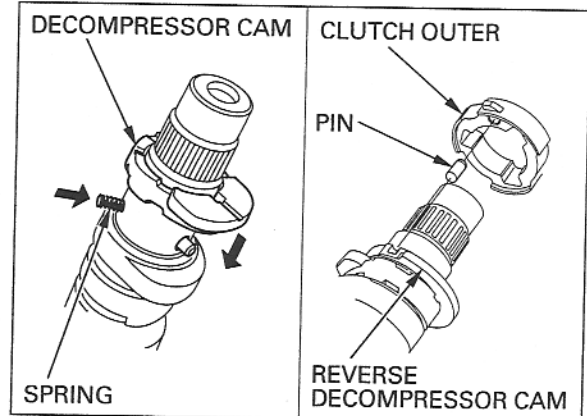


### DECOMPRESSOR SYSTEM ASSEMBLY

Lubricate the cams, one way clutch and washer.

Install the spring into camshaft hole, then install the decompressor cam while holding the spring.

Assemble the reverse decompressor cam and clutch outer with the stopper pin and install the assembly over the camshaft.



Install the rollers and springs into the clutch outer grooves as shown.

