

MAINTENANCE

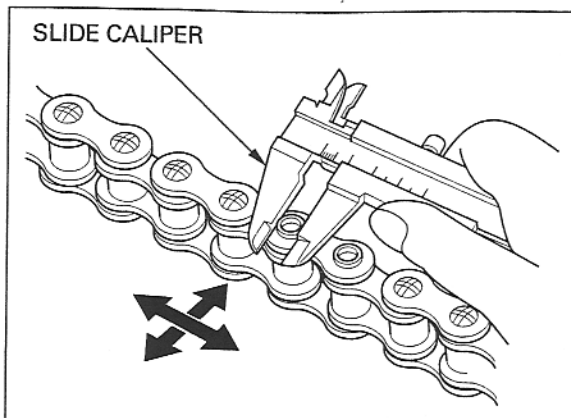
After staking, check the staked area of the master link using slide calipers.

DIAMETER OF THE STAKED AREA:

5.50—5.80 mm (0.217—0.228 in)

NOTE:

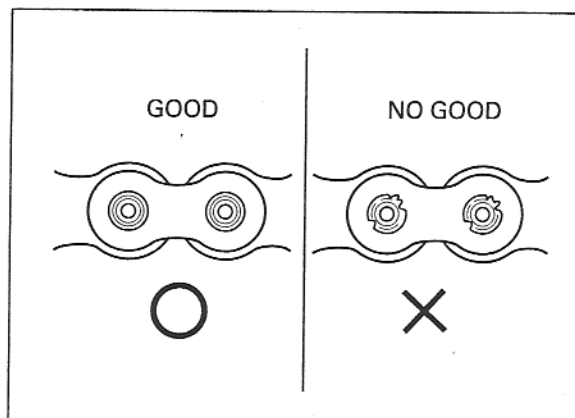
- When the measured staked area is over the prescribed value, restake using the new master link, plate and O-rings.
- When the measured staked area is below the prescribed value, reinstall the drive chain cutter and restake.



Check the staked area of the master link for cracks and the O-rings for damages. If there is any cracking or damage, replace the master link, plate and O-rings.

Check that master link pivots freely on the pins. If the movement is not smooth, restake using the new master link, plate and O-rings.

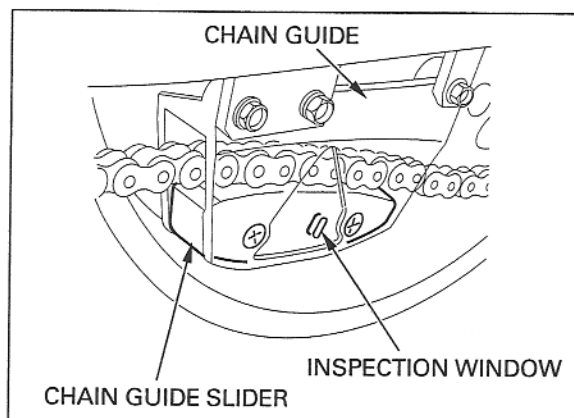
Adjust the drive chain free play (page 3-15).



DRIVE CHAIN SLIDERS

CHAIN GUIDE SLIDER

Inspect the chain guide slider for wear and replace it if you can see the chain through the wear limit opening.



CHAIN SLIDER

Check the chain slider for wear. Replace the chain slider if it is worn to the indicator limit groove.

CAUTION:

If the chain slider becomes worn through to the swingarm, the chain will wear against the swingarm.

Inspect the upper chain slider for excessive wear and replace if necessary.

