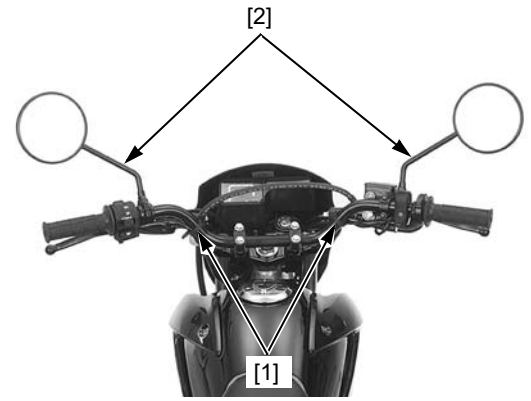


Install the wire bands [1].
Install the rearview mirrors [2].



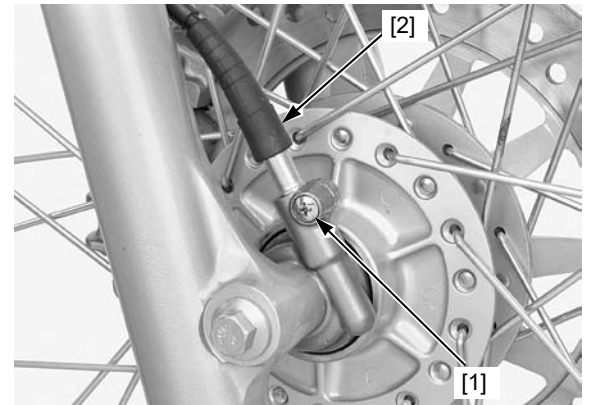
FRONT WHEEL

REMOVAL (XR125LK/LEK)

Do not operate the front brake lever after removing the front wheel. To do so will cause difficulty in fitting the brake disc between the brake pads.

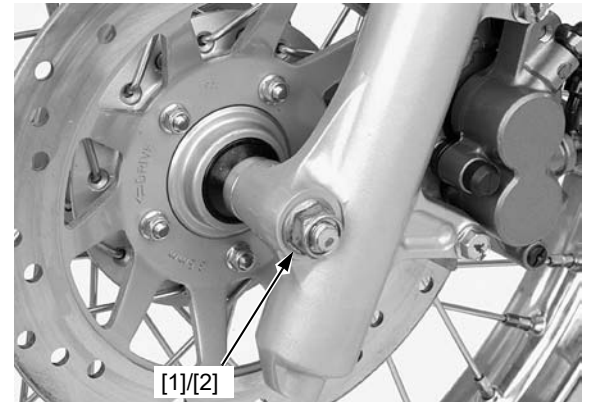
Raise and support the motorcycle using safety stand or a hoist.

Remove the screw [1] and speedometer cable [2] from the speedometer gear box.



Remove the rubber cap.

Remove the axle nut [1] and pull out the axle [2].
Remove the front wheel.



Remove the speedometer gear box [1] and side collar [2].



INSTALLATION (XR125LK/LEK)

Install the side collar and speedometer gear box.