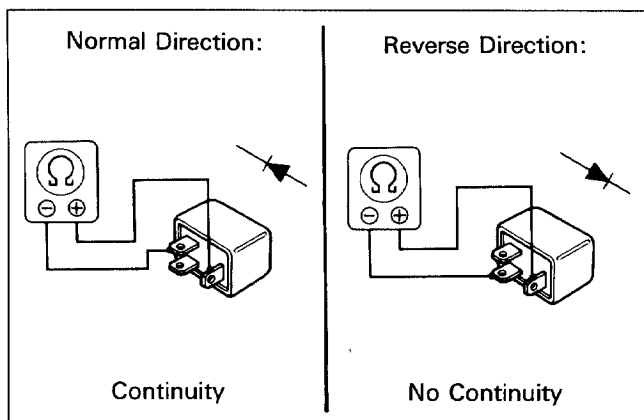
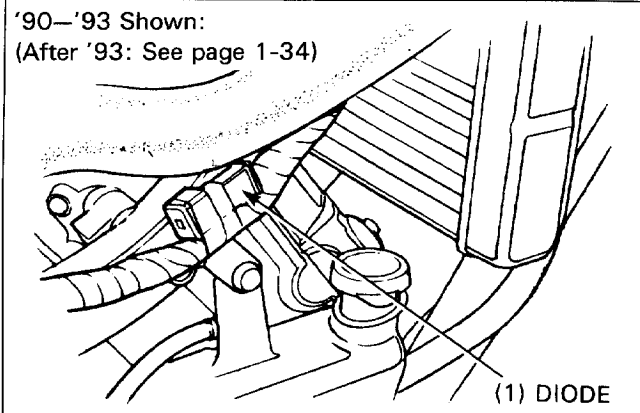


Diode

'90-'93: Remove the middle fairing (page 2-4).
 After '93: Remove the upper fairing (page 2-12).

Remove the diode and check for continuity with an ohmmeter.

Normal Direction: Continuity
Reverse Direction: No Continuity

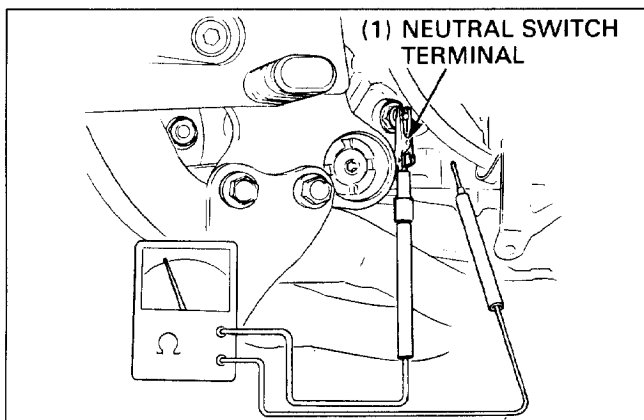


Neutral Switch

Remove the lower fairing (page 2-7).

Check the neutral switch for continuity between the neutral switch terminal or ground.

There should be continuity when the transmission is in neutral and there should be no continuity with the transmission in any gear.



Headlight Relay

Inspect the dimmer switch and lighting switch.
 (Refer to Common Service Manual, section 25).
 Remove the upper fairing (page 2-10).

Headlight does not shut off:
 If the lighting switch is good, inspect the headlight relay.
 If there is no problem in the headlight relay, check the wire harness for a short circuit.

Headlight does not come on:
 Check for a burned out headlight bulb or a blown fuse.

