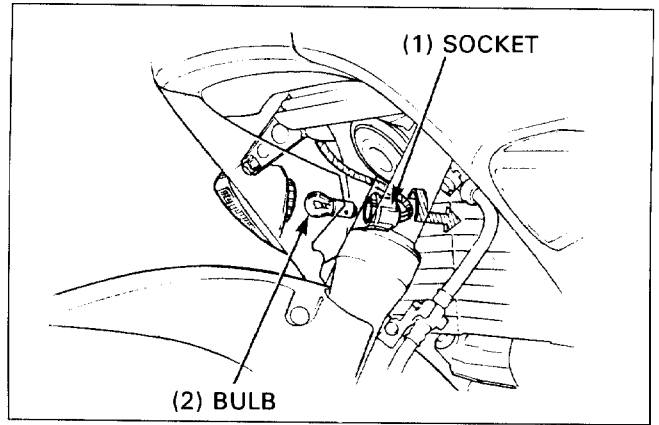


Turn Signal Light

Front

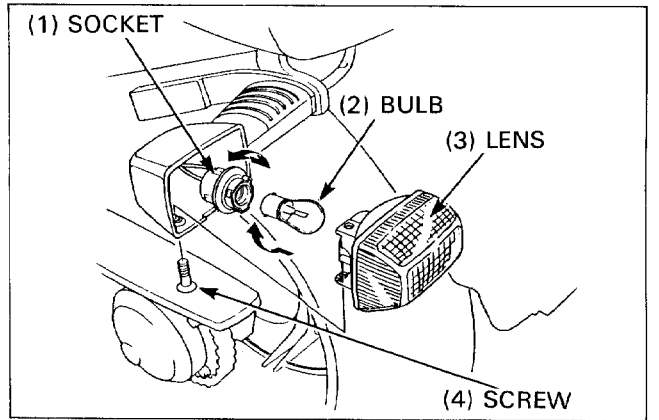
Turn the bulb socket counterclockwise and remove it.
Turn the bulb counterclockwise and remove it.

Install a new bulb in the reverse order of removal.



Rear

Remove the screw and the turn signal light lens.
Remove the bulb socket by turning it counterclockwise.
Remove the bulb by turning it counterclockwise while pushing the bulb in lightly.
Install a new bulb and other removed parts in the reverse order of removal.



Taillight

Remove the seat (page 2-2).
Turn the bulb socket counterclockwise and remove it.
Turn the bulb counterclockwise and remove it.

Install a new bulb in the reverse order of removal.

