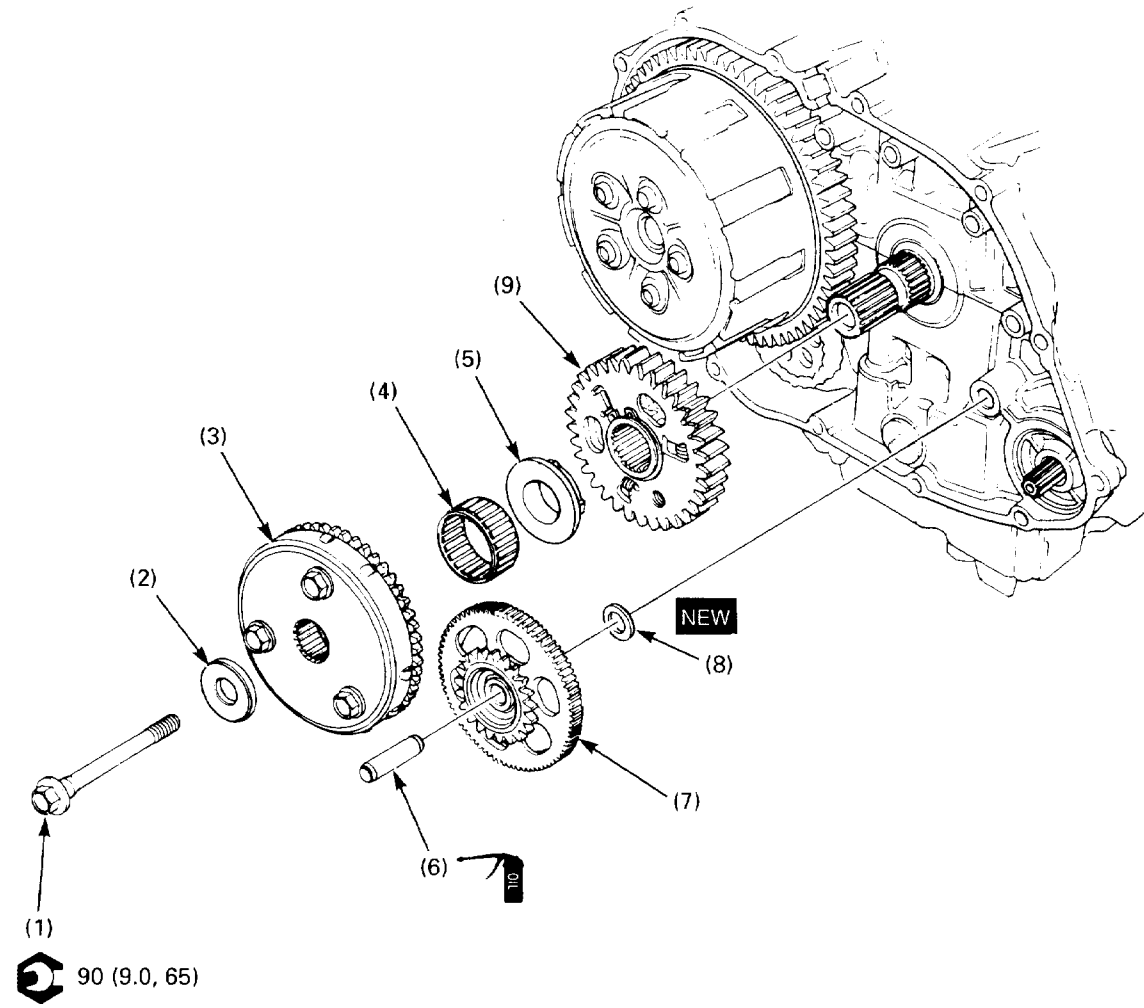




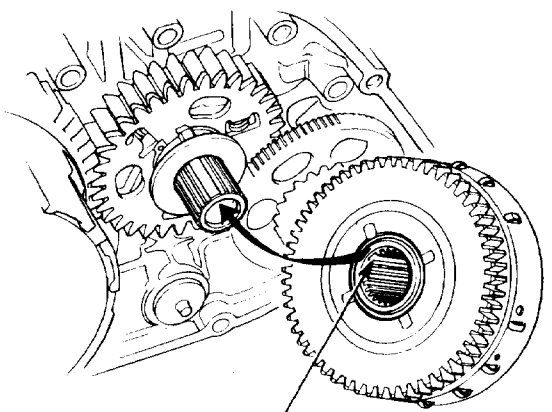
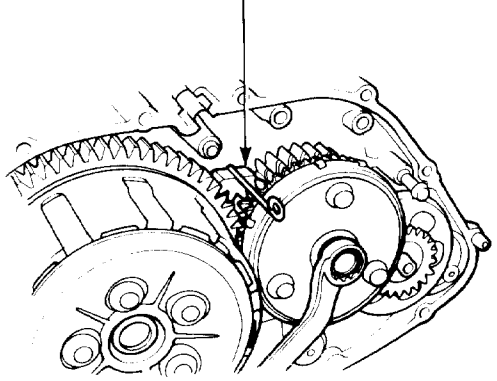
Starter Clutch Removal/Installation



 90 (9.0, 65)

 GEAR HOLDER (page 1-24)

ALIGN THE WIDE GROOVE WITH THE CRANKSHAFT SPLINE AS SHOWN



WIDE GROOVE