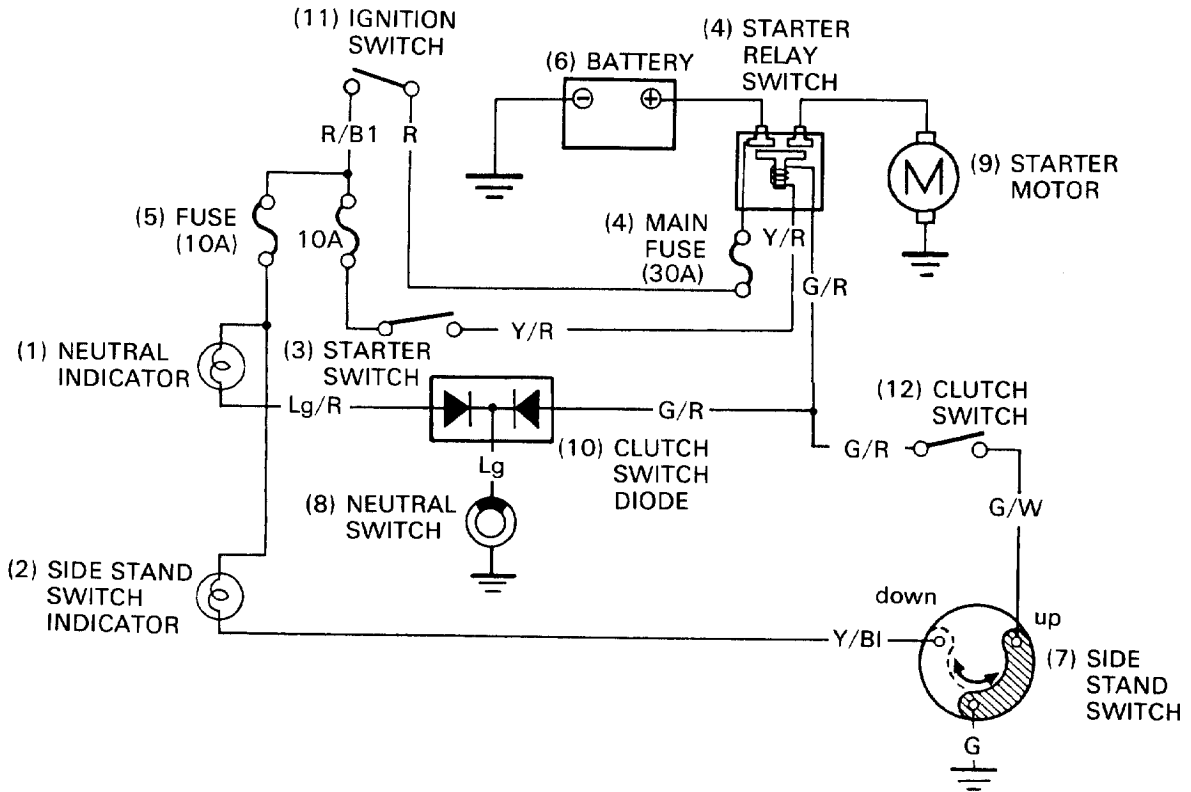


Circuit Diagram

'90-'93:



After '93:

