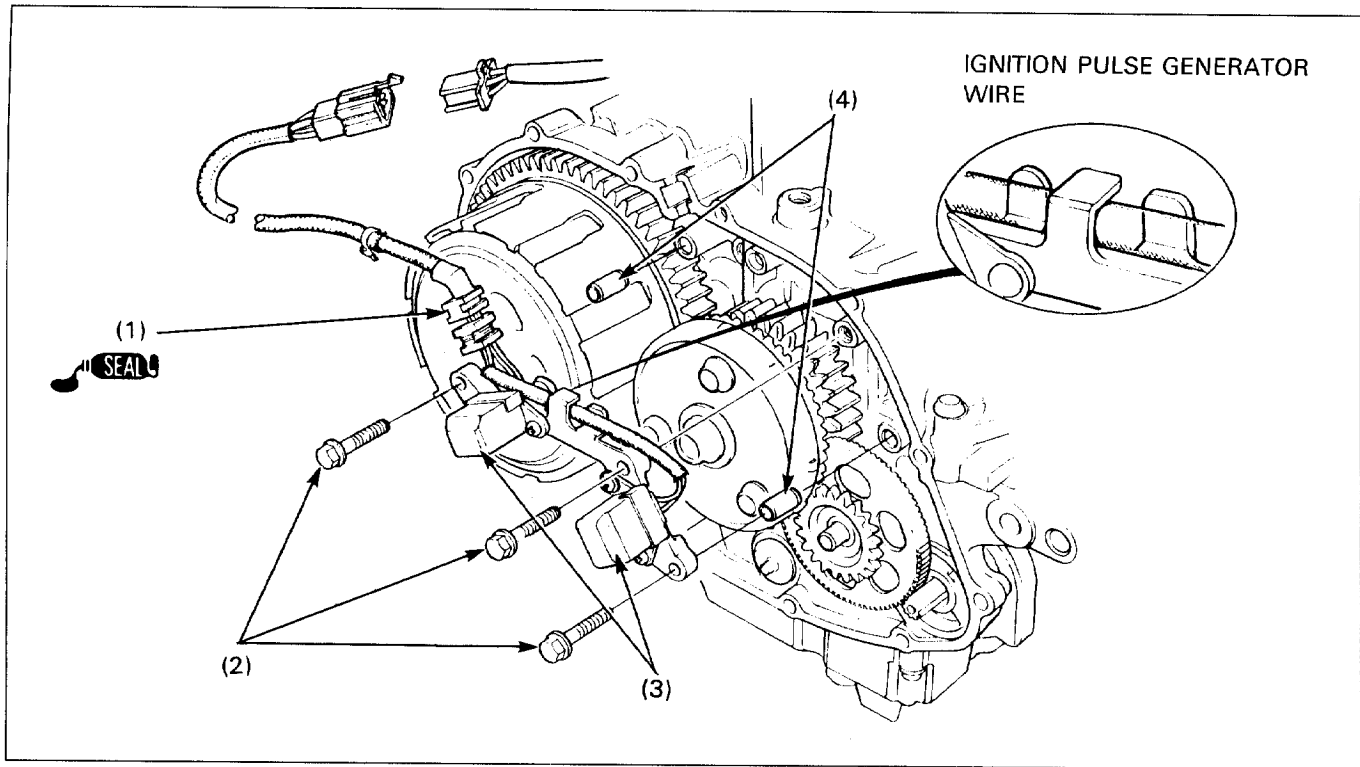


# Ignition Pulse Generator Removal/Installation



## Requisite Service

- Right crankcase cover removal/installation (page 9-2).

Procedure		Q'ty	Remarks
(1)	<b>Removal Order</b> Wire grommet	1	• Installation is in the reverse order of removal. Before removing the wire grommet, disconnect the ignition pulse generator 4P mini black connector. Route the ignition pulse generator wire as shown.
(2)	Ignition pulse generator mounting bolt	3	
(3)	Ignition pulse generator	2	
(4)	Dowel pin	2	