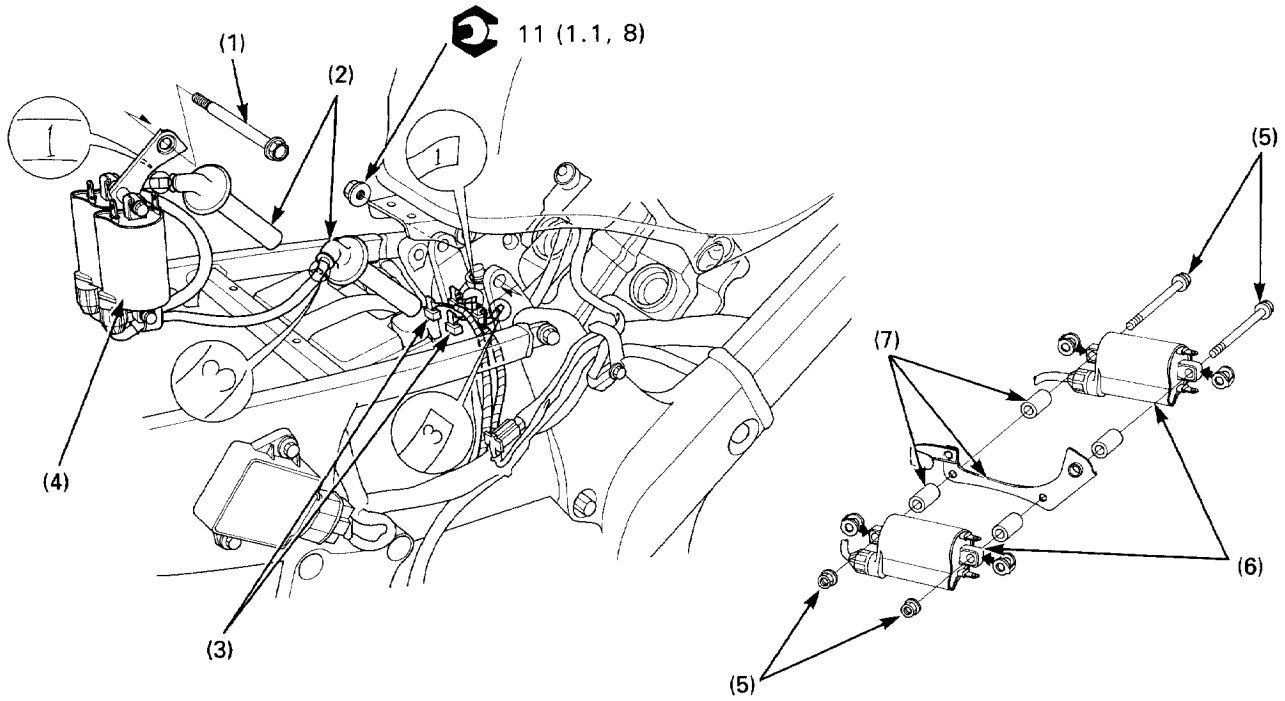


No.1/No.3 Ignition Coil (Rear):



Requisite Service

- Rear fairing removal/installation (page 2-3)

Procedure		Q'ty	Remarks
Removal Order			Installation is in the reverse order of removal.
(1)	Fuel tank mounting bolt	1	Raise the rear side of the fuel tank and remove the caps. Connect the cylinder numbered wires to the green colored terminals. NOTE: • Remove the ignition coil assembly out of the frame to the upward.
(2)	Spark plug cap	2	
(3)	Connector	4	
(4)	Ignition coil assembly	1	
(5)	Bolt/nut	2/2	
(6)	Ignition coil	2	
(7)	Stay/collar	1/4	