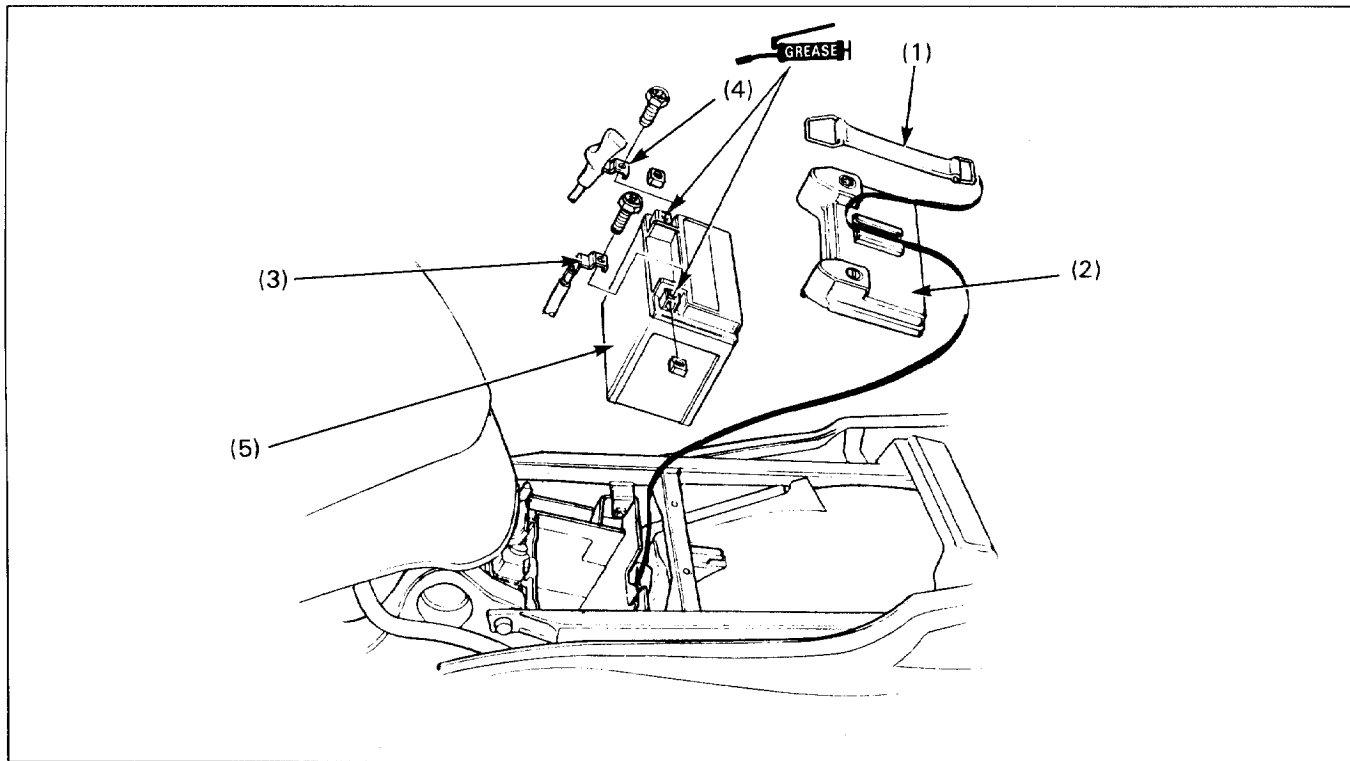


## Battery Removal/Installation



### ▲ WARNING

- Turn the ignition switch OFF.

### Requisite Service

- Seat removal/installation (page 2-2).

Procedure	Q'ty	Remarks
<b>Removal Order</b>		• Installation is in the reverse order of removal.
(1) Battery holder band	1	
(2) Battery cover	1	'90-'93 only
(3) Negative (-) terminal	1	Remove the bolt and disconnect the terminal.
(4) Positive (+) terminal	1	At installation, connect the terminal first, and apply grease to it.
(5) Battery	1	