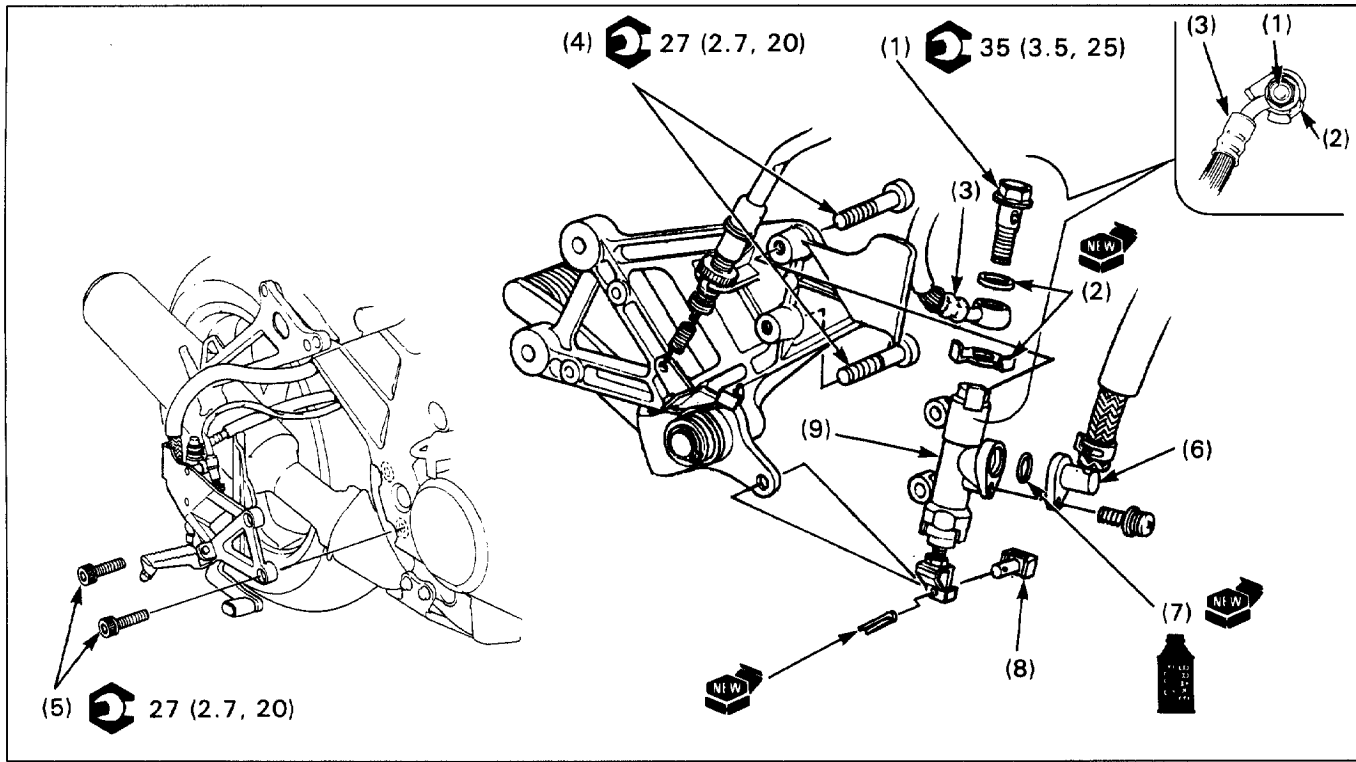


Rear Master Cylinder Removal/Installation



Requisite Service

- Brake fluid replacement/air bleeding (section 17 of the Common Service Manual)

Procedure	Q'ty	Remarks
Removal Order		• Installation is in the reverse order of removal.
(1) Brake hose-bolt	1	Install the brake hose eyelet joint on the stopper as shown.
(2) Sealing washer	2	
(3) Brake hose	1	
(4) Master cylinder mounting bolt	2	
(5) Footpeg bracket bolt	2	
(6) Reservoir hose joint	1	
(7) O-ring	1	
(8) Push joint pin	1	
(9) Master cylinder assembly	1	