

## Swingarm Pivot Bearing Replacement

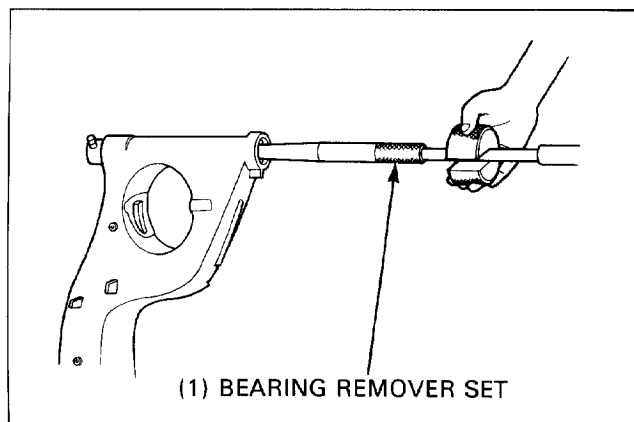
### Right Pivot Bearing Removal

Remove the dust seal and snap ring.  
Remove the ball bearings from the swingarm pivot.



**Bearing remover set**

**07936-3710001**



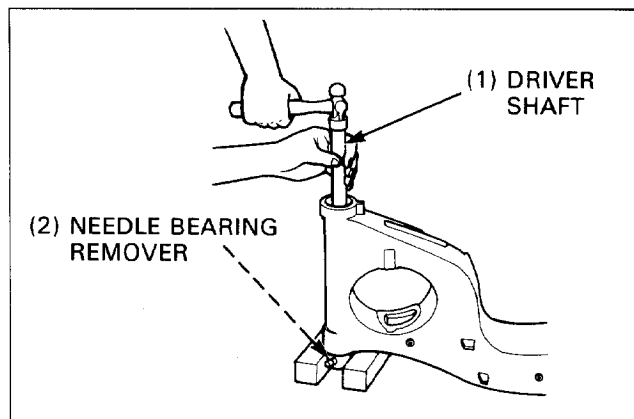
### Left Pivot Bearing Removal

Remove the pivot collar and dust seal.  
Drive the needle bearing out of the swingarm pivot.



**Needle bearing remover  
Driver shaft**

**07HMC-MR70100  
07946-MJ00100**



### Left Pivot Bearing Installation

Pack the new needle bearing with grease.  
Press in the needle bearing with its markings facing out.

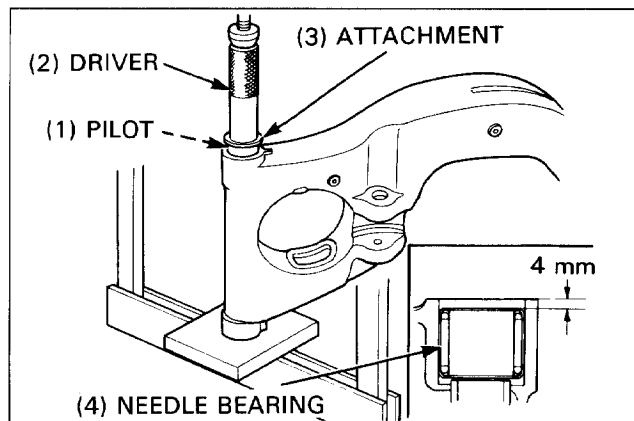
#### NOTE

- Press the needle bearing so that the bearing end is 4 mm below the swingarm edge as shown.



**Driver  
Attachment, 37×40mm  
Pilot, 28mm**

**07749-0010000  
07746-0010200  
07746-0041100**



### Right Pivot Bearing Installation

Pack the new ball bearings with grease.  
One at a time, drive in the ball bearings fully.

#### NOTE

- Drive in the bearings with their markings facing out.



**Driver  
Attachment, 37×40mm  
Pilot, 20mm**

**07749-0010000  
07746-0010200  
07746-0040500**

Install the snap ring and dust seal.

#### NOTE

- Install the snap ring with the chamfered side facing the bearing.

