

## Cushion Rod Pivot Bearing Replacement

('90-'93)

### Removal

Remove the needle bearings out of the cushion rod.

**S TOOL**

**Bearing remover**

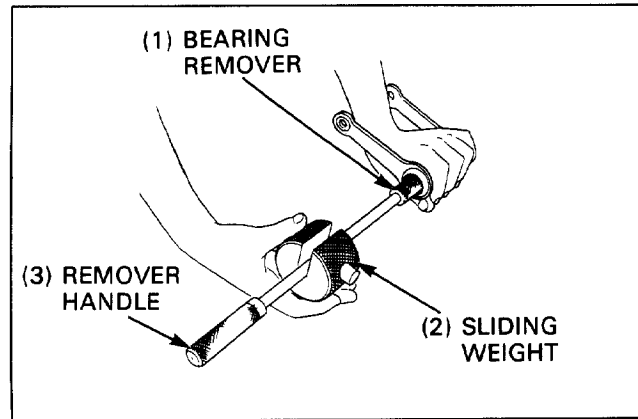
**07936-3710300**

**Remover handle**

**07936-3710100**

**Remover sliding weight**

**07741-0010201**



### Installation

Fill new needle bearings with molybdenum disulfide grease. Press in the needle bearing until the attachment face seats against the cushion rod.

### NOTE

- Press in the new needle bearings with their markings facing out.

**S TOOL**

**Driver**

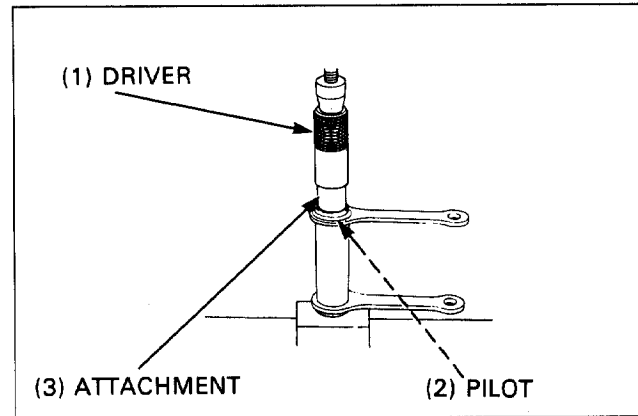
**07749-0010000**

**Attachment, 24×26mm**

**07746-0010700**

**Pilot, 17mm**

**07746-0040400**



## Shock Arm Pivot Bearing Replacement

('90-'93)

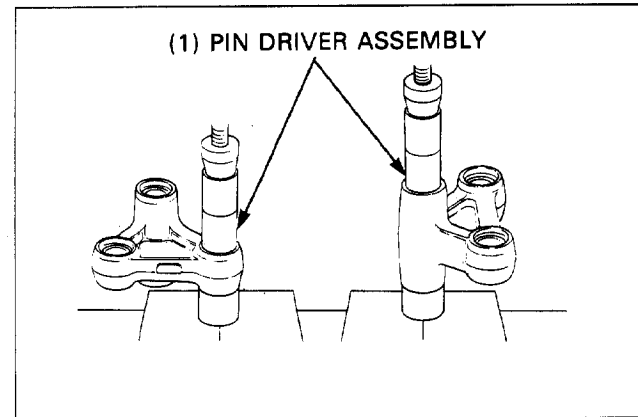
### Removal

Press the needle bearings out of the shock arm.

**S TOOL**

**Pin driver assembly**

**07GMD-KT80100**



### Installation

Fill new needle bearings with molybdenum disulfide grease. Press in the needle bearing until the attachment face seats against the shock arm.

### NOTE

- Press in the new needle bearings with their markings facing out.

**S TOOL**

**Driver**

**07749-0010000**

**Attachment, 24×26mm**

**07746-0010700**

**Pilot, 17mm**

**07746-0040400**

