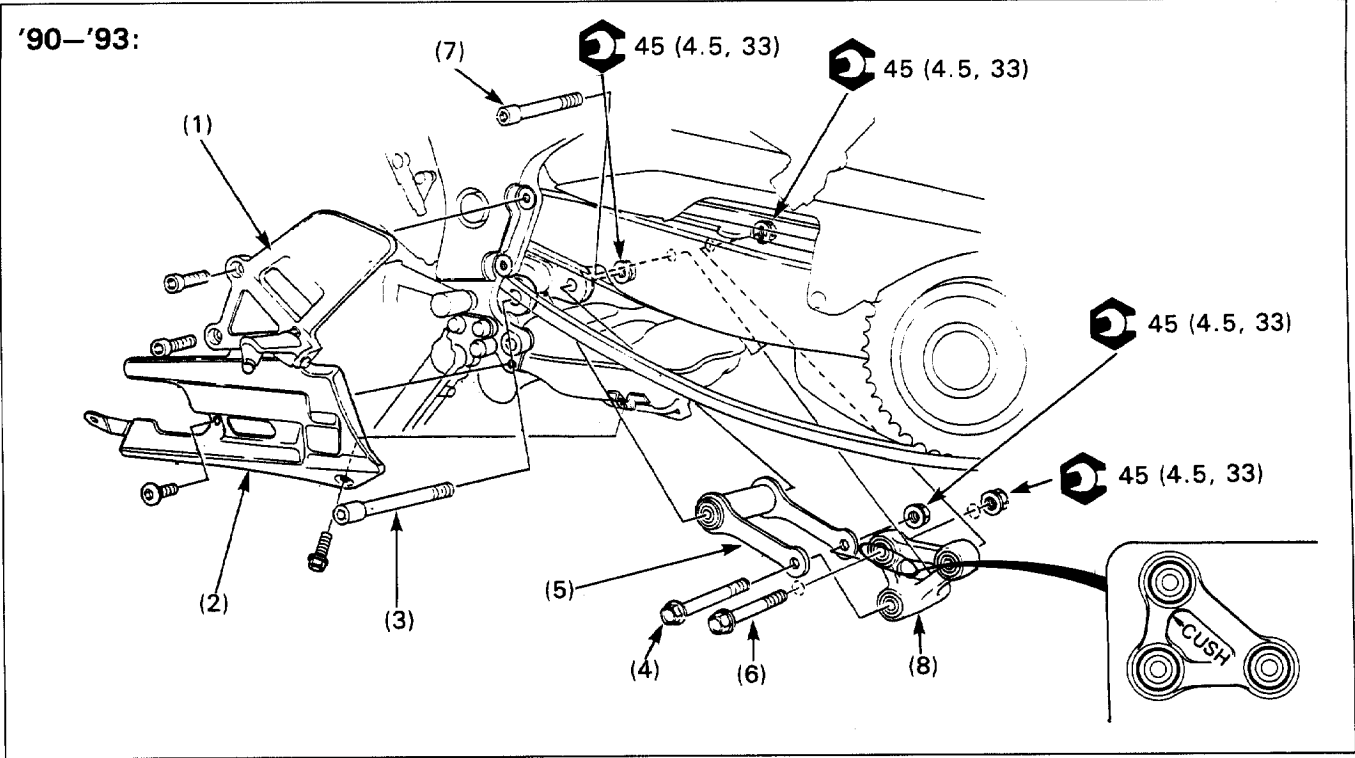


Suspension Linkage Removal/Installation



NOTE

• Support the motorcycle by placing a support block under the exhaust system or with the optional center stand.

Procedure	Q'ty	Remarks
Removal Order		• Installation is in the reverse order of removal.
(1) Left footpeg stay	1	
(2) Exhaust chamber guard	1	
(3) Cushion rod-to-frame bolt	1	Insert from the left side.
(4) Cushion rod-to-shock arm bolt	1	
(5) Cushion rod	1	
(6) Shock absorber mounting bolt (lower)	1	Insert from the left side.
(7) Shock arm-to-swingarm bolt	1	
(8) Shock arm	1	Install the shock arm so that the pivot identified by "←CUSH." fits with the lower joint as shown.