

Stopper Plate Removal/Installation

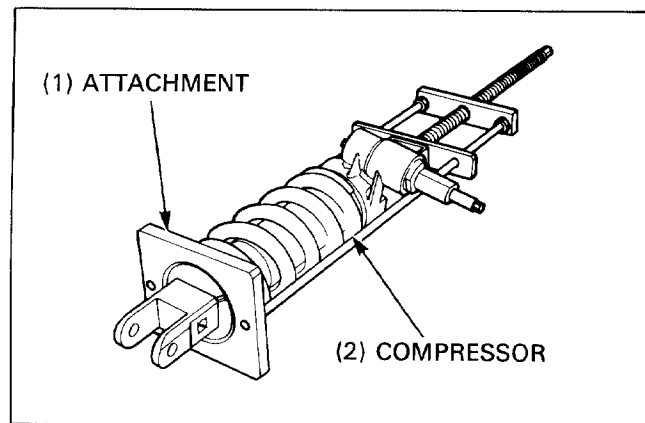
Install the shock absorber compressor and attachment on the rear shock absorber as shown.

S TOOL

Shock absorber compressor 07GME-0010000

Attachment 07NME-MY70100

Turn the compressor handle and slowly compress the spring.



Remove the stopper plates from the spring seat.

Remove the shock absorber spring.

Install the shock absorber spring with the tapered end facing the adjuster.

Compress the spring with the compressor and attachment.

Install the stopper plate securely.

