

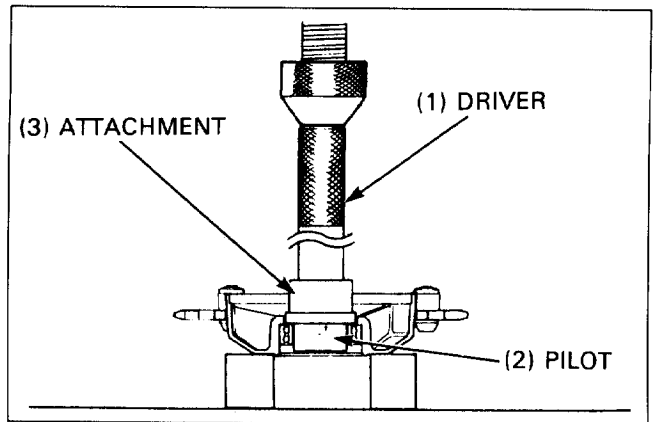
Driven Flange Bearing Replacement

Push the bearing and dust seal out of the driven flange using a hydraulic press.



Driver
Attachment, 42×47mm
Pilot, 35mm

07749-0010000
07746-0010300
07746-0040800

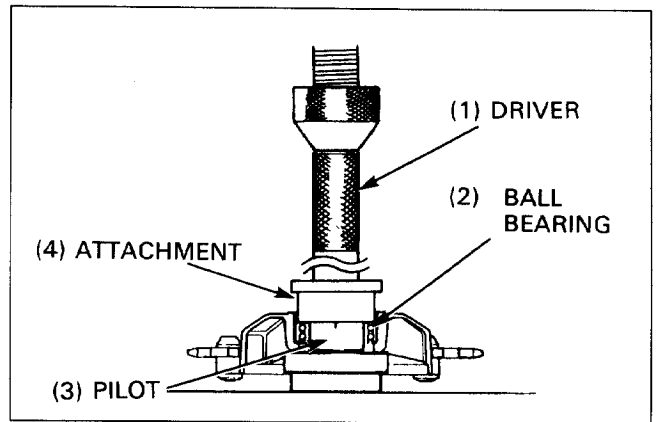


Press a new bearing into the driven flange.



Driver
Attachment, 52×55mm
Pilot, 35mm

07749-0010000
07746-0010400
07746-0040800



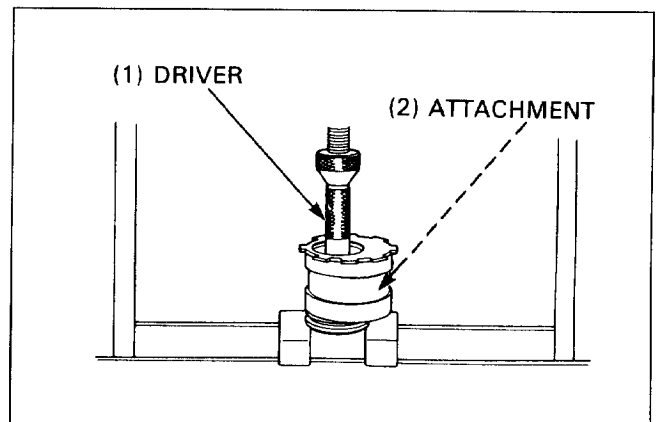
Axle Needle Bearing Replacement

Push the needle bearing out of the bearing holder using hydraulic press.



Driver
Attachment, 42×47mm
Pilot, 40mm

07749-0010000
07746-0010300
07746-0040900



Fill a new needle bearing with grease and press it into the bearing holder using a hydraulic press.



Driver
Attachment, 62×68mm

07749-0010000
07746-0010500

