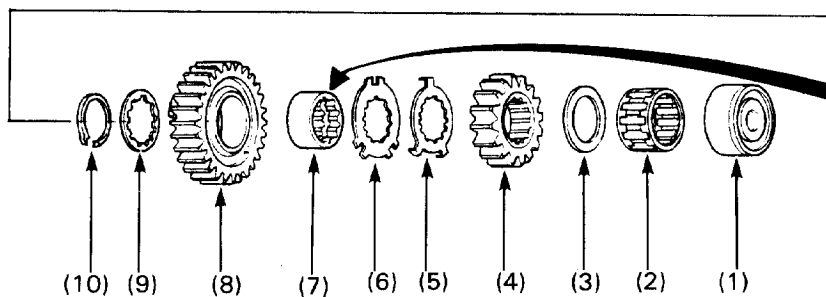
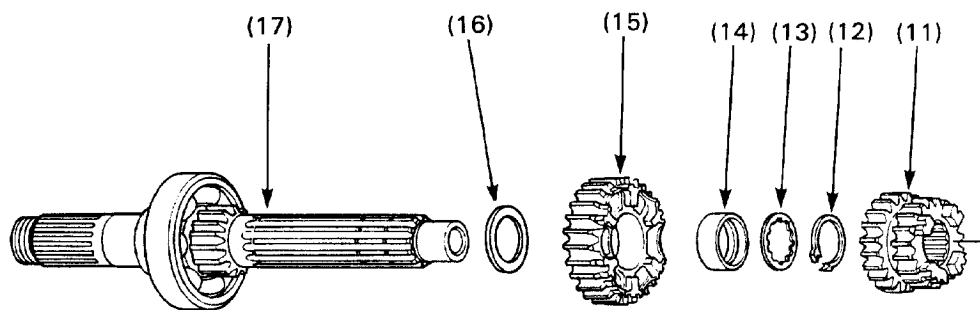
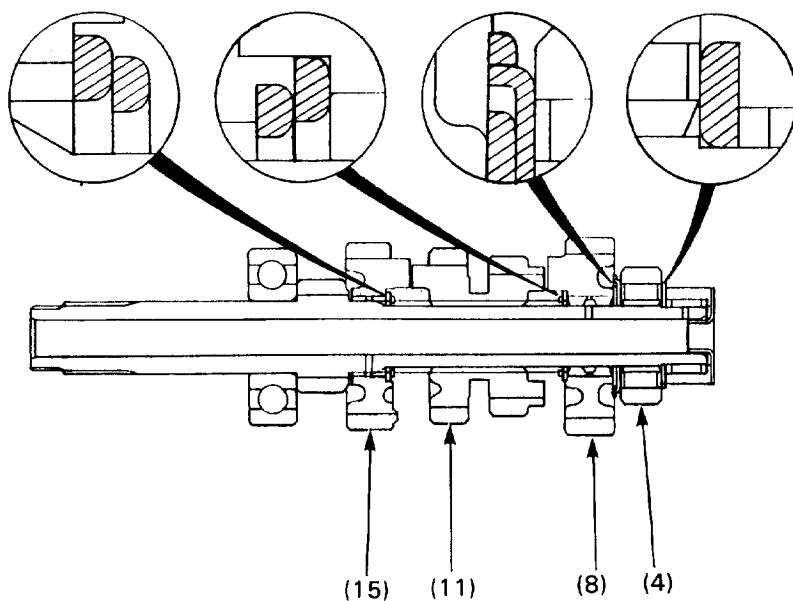
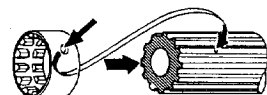


Mainshaft Disassembly/Assembly



ALIGN OIL HOLES



 : SHIFTER GEAR GROOVE

 : GEAR SLIDING SURFACE