

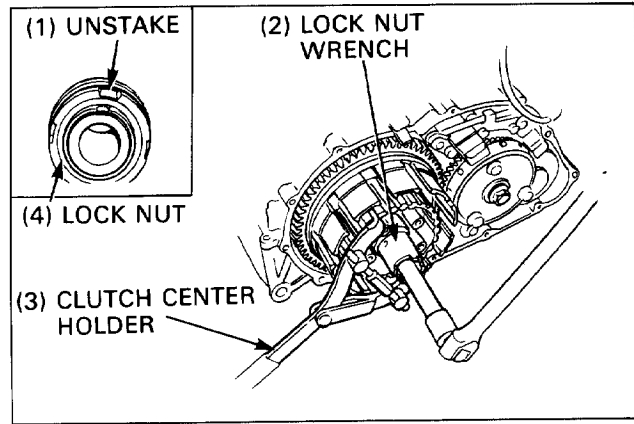
## Clutch System

### Clutch Center Lock Nut Removal

Unstake the lock nut, and loosen the lock nut while holding the clutch center as shown.

Clutch center holder  
Lock nut wrench, 26×30mm

07724-0050001  
07716-0020203



### Clutch Center Lock Nut Installation

Tighten the clutch center lock nut holding the clutch center as shown.

Clutch center holder  
Lock nut wrench, 26×30mm

07724-0050001  
07716-0020203

Stake the lock nut to the mainshaft.

#### NOTE

- Replace the lock nut if the old staked area of the nut aligns with the groove of the shaft after tightening the nut to specified torque.
- Be careful not to damage the shaft when staking the lock nut.
- Make sure that the peen point covers at least 2/3 of the width of the mainshaft groove.

