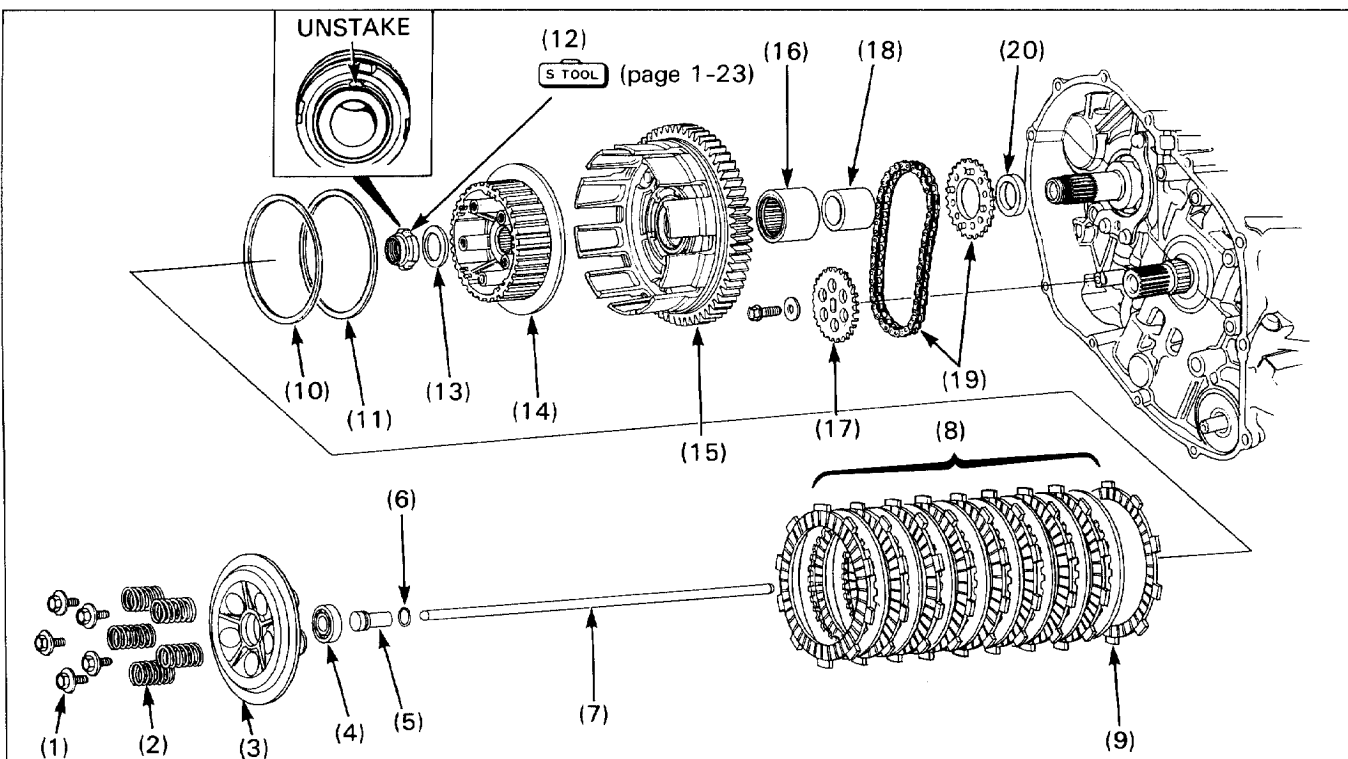


Clutch Removal



Requisite Service

- Right crankcase cover removal (page 9-2)

- Starter clutch removal (page 17-10)

NOTE

- When removing the oil pump driven sprocket, loosen the sprocket bolt before removing the clutch assembly. The bolt is treated with a locking agent so be careful not to damage the bolt when loosening.

Procedure	Q'ty	Remarks
(1) Clutch lifter plate bolt		Remove them in a gradual, crisscross pattern.
(2) Clutch spring	5	
(3) Clutch pressure plate	1	
(4) Clutch lifter plate bearing	1	
(5) Clutch lifter guide	1	
(6) Stopper ring	1	Detach from the lifter plate bearing only when replacing the bearing.
(7) Lifter rod	1	
(8) Clutch disc A/clutch plate	8/8	Larger I.D. than clutch disc A
(9) Clutch disc B	1	
(10) Judder spring	1	Refer to page 9-6 for removal.
(11) Spring seat	1	
(12) Clutch center lock nut	1	
(13) Spring washer	1	
(14) Clutch center	1	
(15) Clutch outer	1	
(16) Needle bearing	1	
(17) Oil pump driven sprocket	1	
(18) Clutch outer guide	1	
(19) Oil pump drive sprocket/drive chain	1/1	
(20) Collar	1	