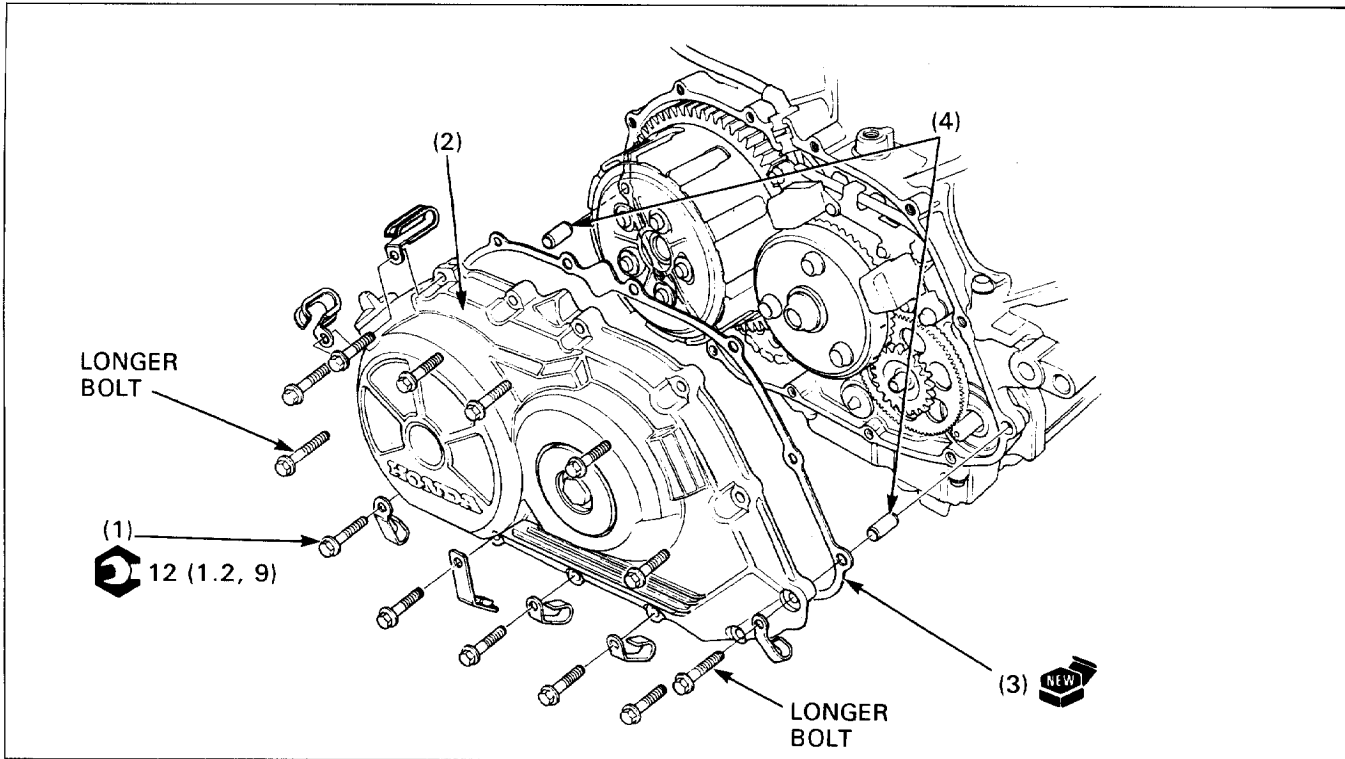


# Right Crankcase Cover Removal/Installation



## Requisite Service

- Engine oil draining (drain bolt location: page 3-2, see: section 2 of the Common Service Manual)
- Lower fairing removal/installation (page 2-7)

	Procedure	Q'ty	Remarks
	<b>Removal Order</b>		
(1)	Right crankcase cover bolt	13	• Installation is in the reverse order of removal. <b>NOTE:</b> • Install the two longer bolts in the bolt holes with the dowel pins. • Install the clamps in the positions shown.
(2)	Right crankcase cover	1	
(3)	Gasket	1	
(4)	Dowel pin	2	