

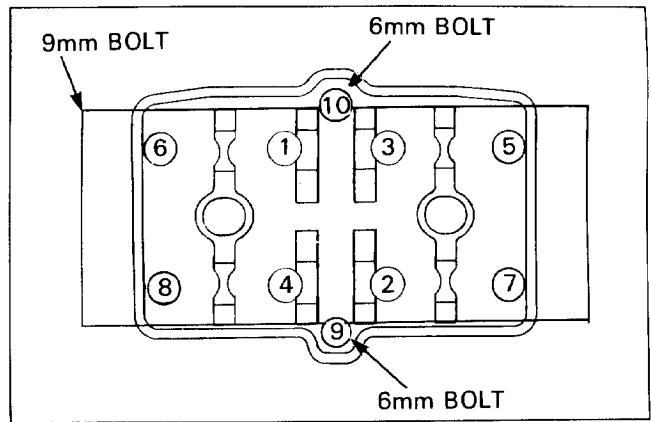
Cylinder Head Bolt Installation

Apply engine oil to the seating surface and threads, then tighten the cylinder head mounting bolts gradually in a crisscross pattern in the order as shown.

Torque:

6mm bolt: 12N · m (1.2kg-m, 9ft-lb)

9mm bolt: 45N · m (4.5kg-m, 33ft-lb)



Camshaft Installation

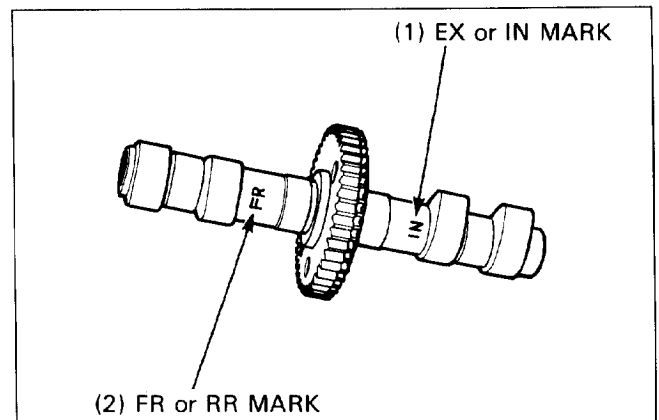
Each camshaft has identification marks. Install the camshafts in the correct positions, noting the identification marks below:

Front Intake: "FR", "IN"

Front Exhaust: "FR", "EX"

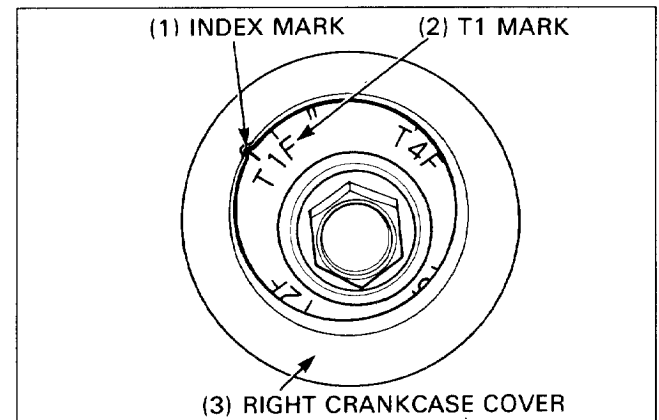
Rear Intake: "RR", "IN"

Rear Exhaust: "RR", "EX"



When Both Front and Rear Cylinder Camshafts Were Removed

Align the T1 mark on the starter clutch with the index mark on the right crankcase cover.



Apply molybdenum oil solution to the cam lobes. Install the camshafts onto the rear cylinder head so that the timing marks on the camshaft gears are level with the cylinder head upper edge and facing opposite each other.

