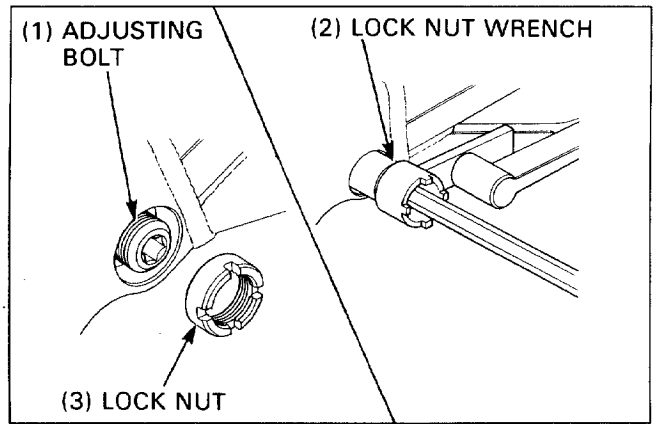


Tighten the lock nut holding the adjusting bolt.  
Torque: 55N · m (5.5kg-m, 40ft-lb)

Lock nut wrench

07HMA-MR70200



Install and tighten the rear lower engine mounting bolt.

Torque: 40N · m (4.0kg-m, 28ft-lb)

