

Jet Needle Holder Removal/Installation (After '93)

Removal

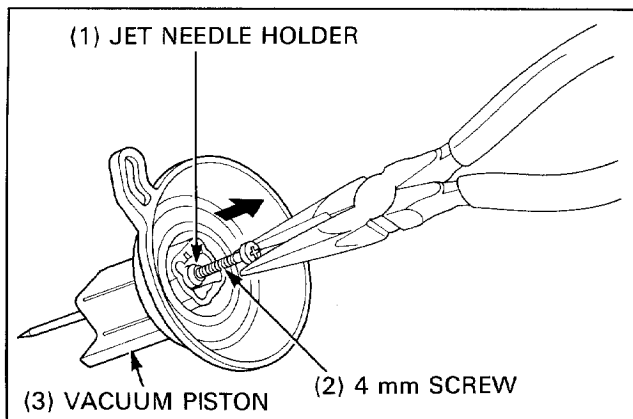
Remove the vacuum piston (page 6-18).

Temporarily install a 4 mm screw or equivalent (Example; vacuum chamber screw).

Pull the screw and remove the jet needle holder.

CAUTION

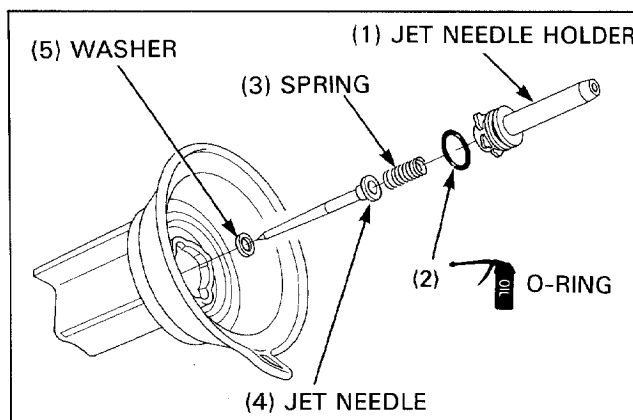
- Be careful not to damage the diaphragm.
- Do not remove the jet needle holder by pushing the jet needle.



Installation

Install the jet needle holder into the vacuum piston until you felt the click.

Install the vacuum piston (page 6-18)



Carburetor Body Cleaning

Clean the fuel strainer in the float valve using compressed air from the float valve seat side.

