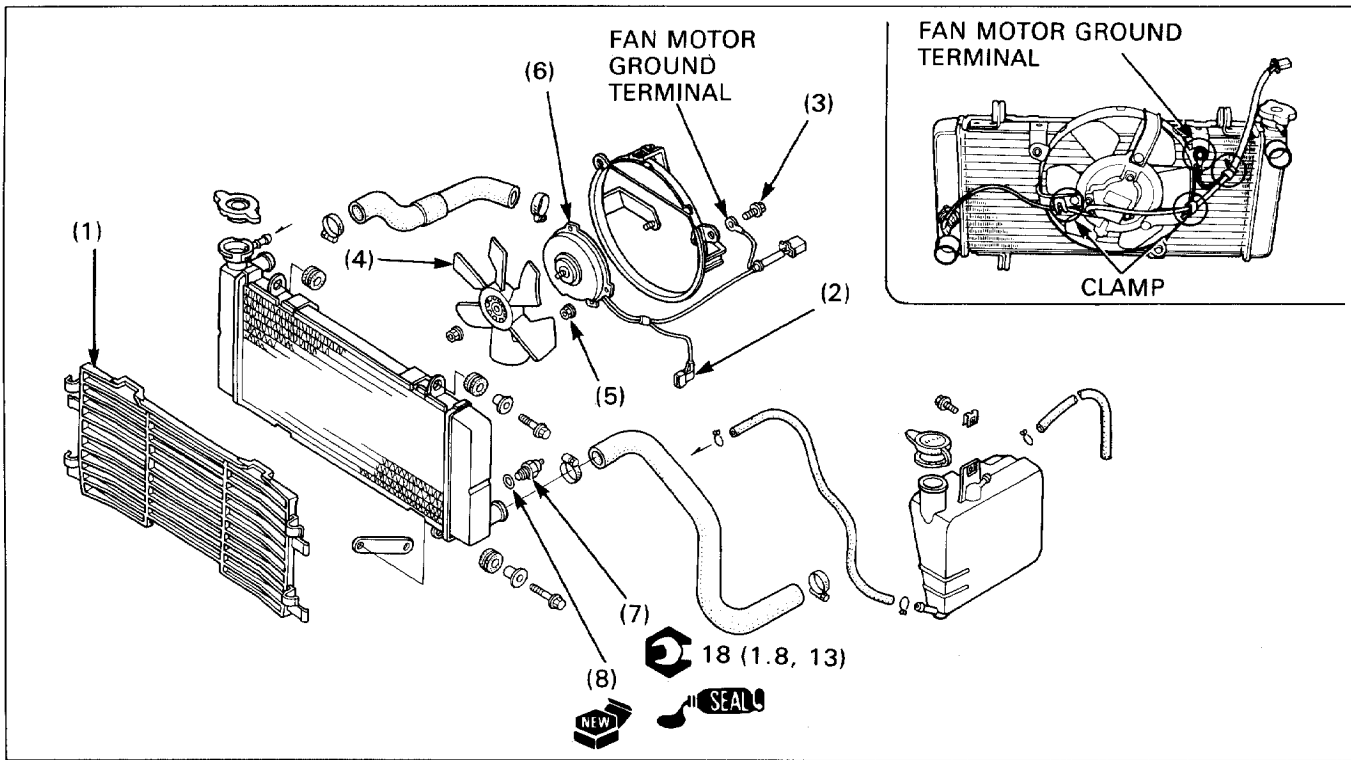


Radiator Disassembly/Assembly



Requisite Service

- Radiator removal/installation (page 5-5)

Procedure	Q'ty	Remarks
Disassembly Order		
(1) Radiator grille	1	• Assembly is in the reverse order of disassembly. At installation, align four grille grooves with the radiator lugs.
(2) Fan motor switch connector	1	
(3) Fan motor shroud mounting bolt	3	At installation, install the fan motor ground wire terminal properly as shown.
(4) Cooling fan	1	At installation, align the fan groove with the motor shaft.
(5) Fan motor mounting nut	3	
(6) Fan motor	1	
(7) Fan motor switch	1	At installation, apply sealant to the threads. CAUTION • Do not over-tighten the fan motor switch, or the radiator may be damaged.
(8) O-ring	1	