

Air Cleaner

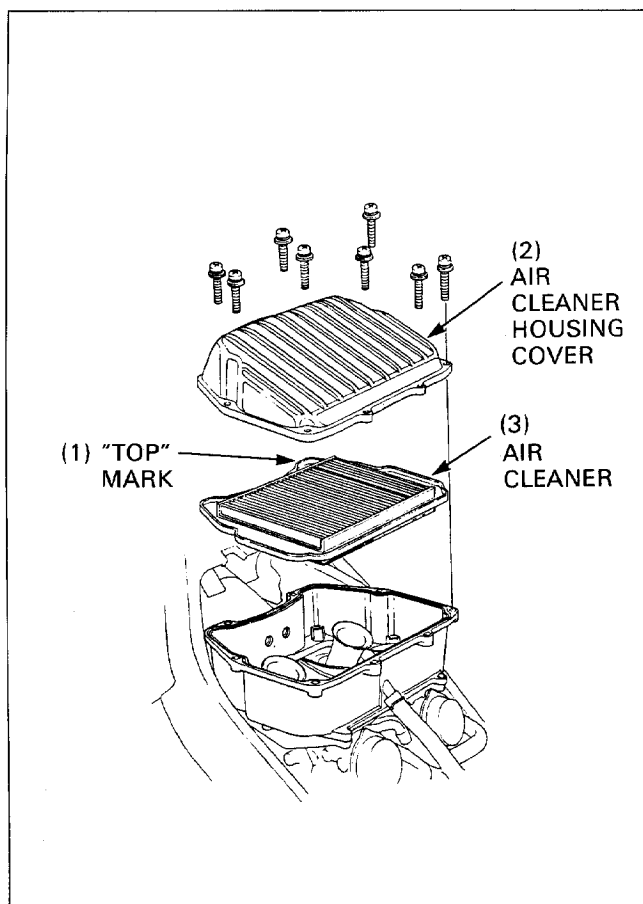
Remove the following:

- fuel tank (page 2-22).
- air cleaner housing cover

Replace the air cleaner in accordance with the maintenance schedule.

Also, replace the air cleaner when ever it becomes excessively dirty or damaged.

Install the cleaner with the "TOP" mark facing up.



Sub air cleaner:

Remove the sub air cleaner from the housing and wash away any accumulated dust or dirt, by gently squeezing it in non flammable or high flash point solvent.

⚠ WARNING

- Using gasoline or low flash point solvents for cleaning parts may result in a fire or explosion.

Spread Pro Honda Foam Filter Oil or equivalent on the sub air cleaner. Rub it in thoroughly over the surface with both hands, and then squeeze out any excess oil.

NOTE

- Be sure to allow the sub air cleaner to dry thoroughly before applying oil. Otherwise, the oil will be diluted by the solvent and the filtering ability of the filter will be much less effective.

