

Seat

'90-'93:

Removal

Insert the ignition key into the seat lock/helmet holder. Turn the ignition key clockwise until it stops, pull the lever down then remove the seat by sliding it rearward.

Installation

Apply grease to the hook of the seat. Install the seat fitting the hooks into each other.

NOTE

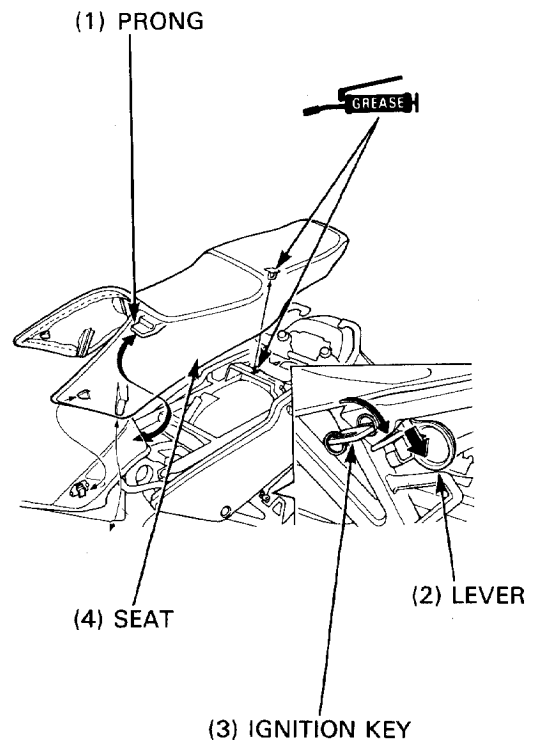
- Securely insert the prong on the front end of the seat into the recess on the fuel tank.

Push the seat down until it locks.

NOTE

- Make sure the seat is secured completely.

'90-'93:



After '93:

Removal

Insert the ignition key into the seat lock/helmet holder. Turn the ignition key clockwise until it stops, pull the lever down then remove the seat sliding backward.

Installation

Apply grease to the hook of the seat. Install the seat fitting the hooks into each other. Push the seat down until it locks.

CAUTION

- After installation, make sure the seat is securely installed.

After '93:

