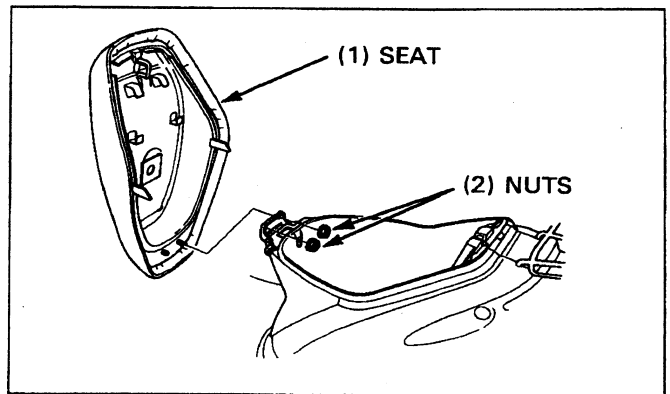


**Seat**

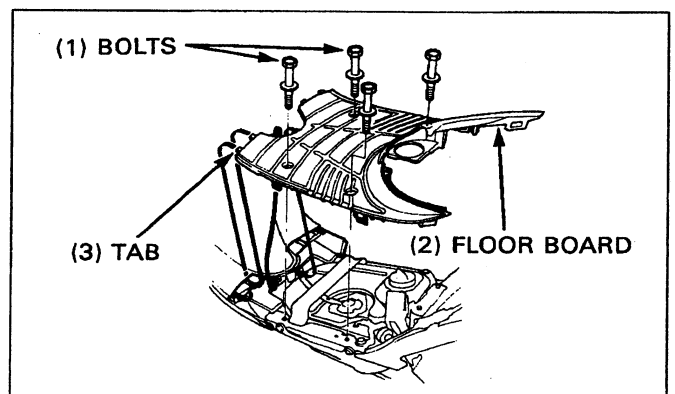
Open the seat.  
Remove the two nuts and the seat.



**Floor Board**

Remove the frame body cover (page 2-3).

Remove the four bolts.  
Raise the rear of the floor board slightly, pull the floor board rearward to release the tabs and remove it.



**Front Cover**

Remove the four tapping screws.  
Remove the two trim clips.  
Remove the three screws.  
Release the tabs while pushing both sides of the cover inward and then remove cover.

**NOTE**

• When installing, make sure that the tabs are aligned with the slots properly before tightening the screws.

