

Remove circlip
 Remove R. Pivot bearing (ball bearing)

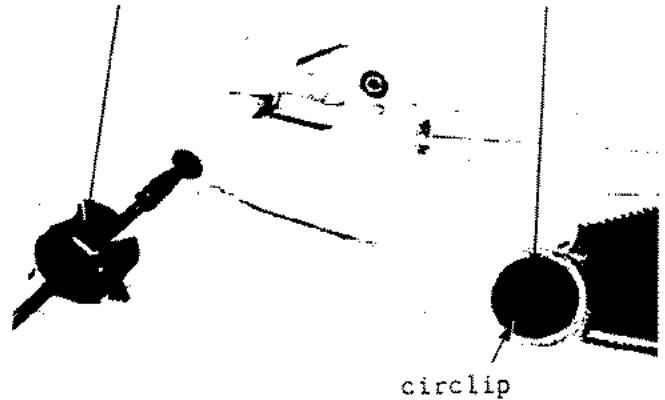
Special tools:

Bearing remover (15mm)	07936-KC10000
- Remover assy (15mm)	07936-KC10500
- Remover shaft (15mm)	07936-KC10100
- Remover head (15mm)	07936-KC10200

-Remover sliding height 07741-0010201

BEARING REMOVER

R. PIVOT BEARING



Remove distance collar from rear fork pivot

Inspect distance collar for damage

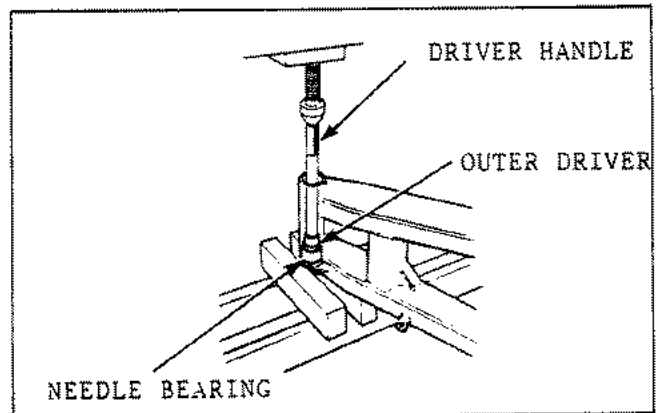
DISTANCE COLLAR



Remove L. pivot bearing (needle bearing)

Special tool:

Driver handle	07949-3710001
Outer driver (28-30mm)	07946-1870100



Use hydraulic press and insert L. pivot bearing (needle bearing)

Special Tool

Needle bearing driver att.	07HMD-KV30100
Standard tool	
Driver handle A	07749-0010000

