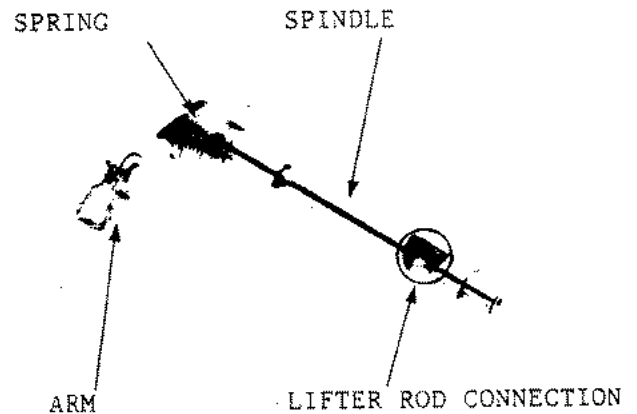
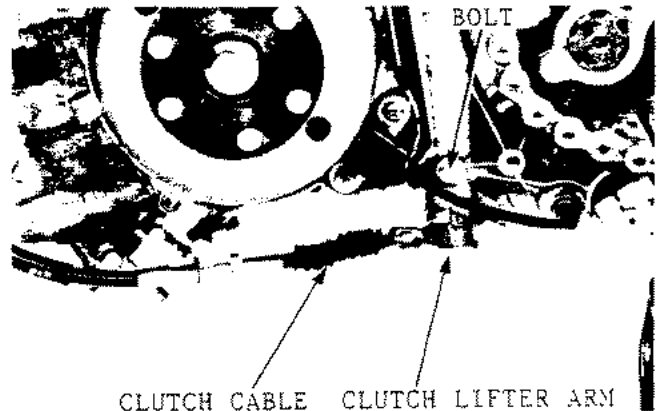


CLUTCH LIFTER ARM

Removal

Remove L. crankcase cover (10.2)
Remove exhaust chamber (15.7)
Remove clutch cable from lifter arm
Remove clutch lifter arm stopper bolt,
pull lifter arm down and remove

* When removing lifter arm it is necessary to remove clutch lifter rod (8.3)



Clutch Lifter Arm Inspection

Inspect the following:

- lifter arm bent, damaged
- Spindle bent, damaged
- Return spring bent
- Spindle lifter rod connection damaged

PRIMARY DRIVE GEAR

Removal

Remove R crankcase cover (8.3)
Remove clutch (8.3)
Install 2 6mm bolts of gear holder as in the picture.

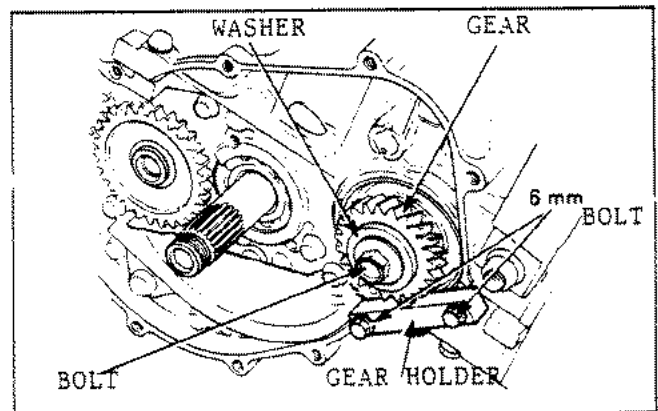
Special Tools:

Gear Holder O7HMB-KV30100

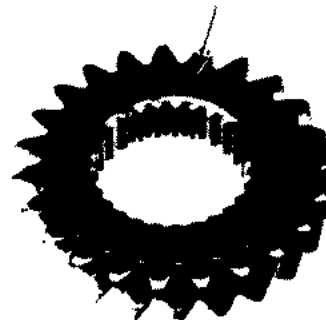
Remove primary drive gear bolt, washers

Remove primary drive gear

* Take care as bolts are left hand thread



PRIMARY DRIVE GEAR



PRIMARY DRIVE GEAR INSPECTION

Inspect primary drive gear for damage and wear