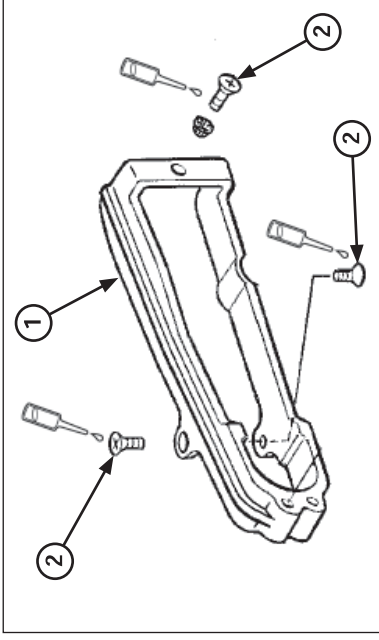


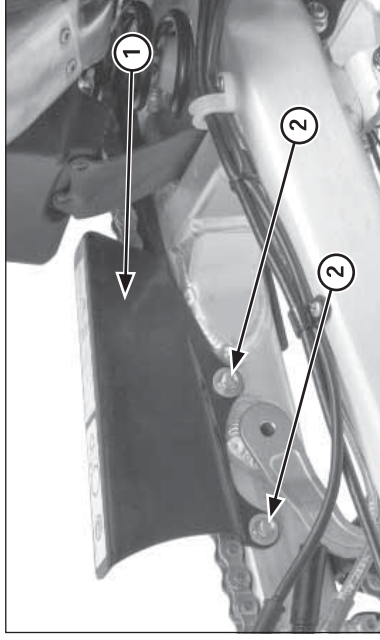
- (1) CHAIN TENSIONER
- (2) BUSHINGS
- (3) O-RINGS
- (4) PIVOT BOLT

Apply grease to the pivot chain tensioner, bushings and O-rings.

Install the drive chain tensioner pivot bushings into the swingarm.
 Install a new O-ring onto the chain tensioner pivot.
 Install the chain tensioner into the swingarm.
 Install a new O-ring and tighten the pivot bolt.



- (1) DRIVE CHAIN SLIDER
- (2) SCREWS

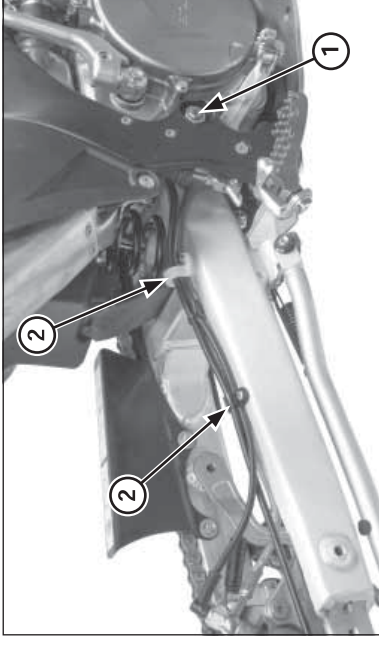


- (1) DRIVE CHAIN GUARD
- (2) SCREWS

Install the drive chain sliders onto the swingarm.
 Apply a locking agent to the drive chain slider screw threads and tighten the screw.

Install the drive chain guard and tighten the bolts.

Torque: 0.6-0.7 N•m (0.06-0.07 kgf•m)



- (1) PIVOT BOLT/NUT
- (2) HOSE CLAMPS

Installation

Apply thin coat of grease to the swingarm pivot bolt surface.

Install the swingarm into the frame.
 Install the swingarm pivot bolt from the left side.
 Install and tighten the swingarm pivot nut to the specified torque.

Torque: 69 N•m (7.0 kgf•m, 51 lbf•ft)

Install the brake caliper onto the swingarm rail.
 Install the brake hose clamps and tighten the screws.