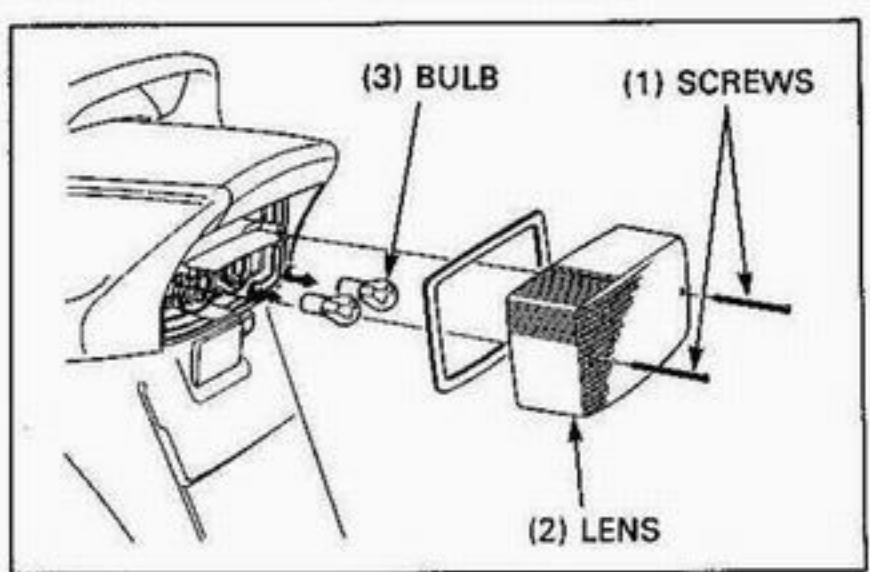


## Tail/Brake Light

Remove the mounting screws and tail/brake light lens.

Remove the bulb from the socket by turning it counterclockwise and replace with a new one.

Installation is in the reverse order of removal.



## Turn Signal Bulb

Remove the mounting screws and turn signal lens.

Remove the bulb from the socket by turning it counterclockwise and replace with a new one.

Installation is in the reverse order of removal.

