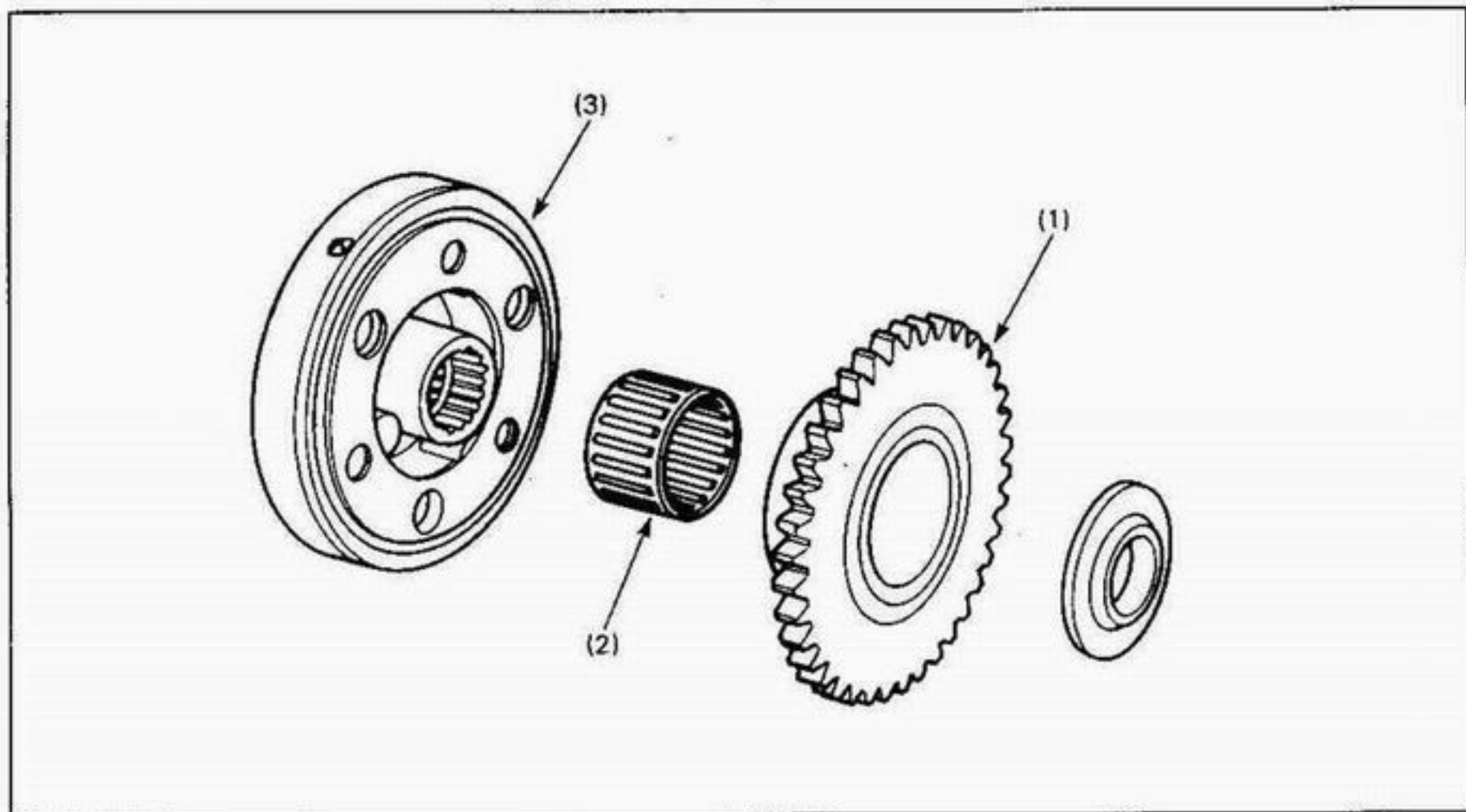


## Starter Clutch Disassembly/Assembly



### Requisite Service

- Crankshaft, connecting rod removal/installation (page 9-10, 16)

Procedure		Qty	Remarks
	<b>Disassembly Order</b>		Assembly is in the reverse order of disassembly.
(1)	Starter driven gear	1	
(2)	Needle bearing	1	
(3)	Starter clutch	1	At installation, make sure the starter clutch roller is installed properly into the clutch housing.