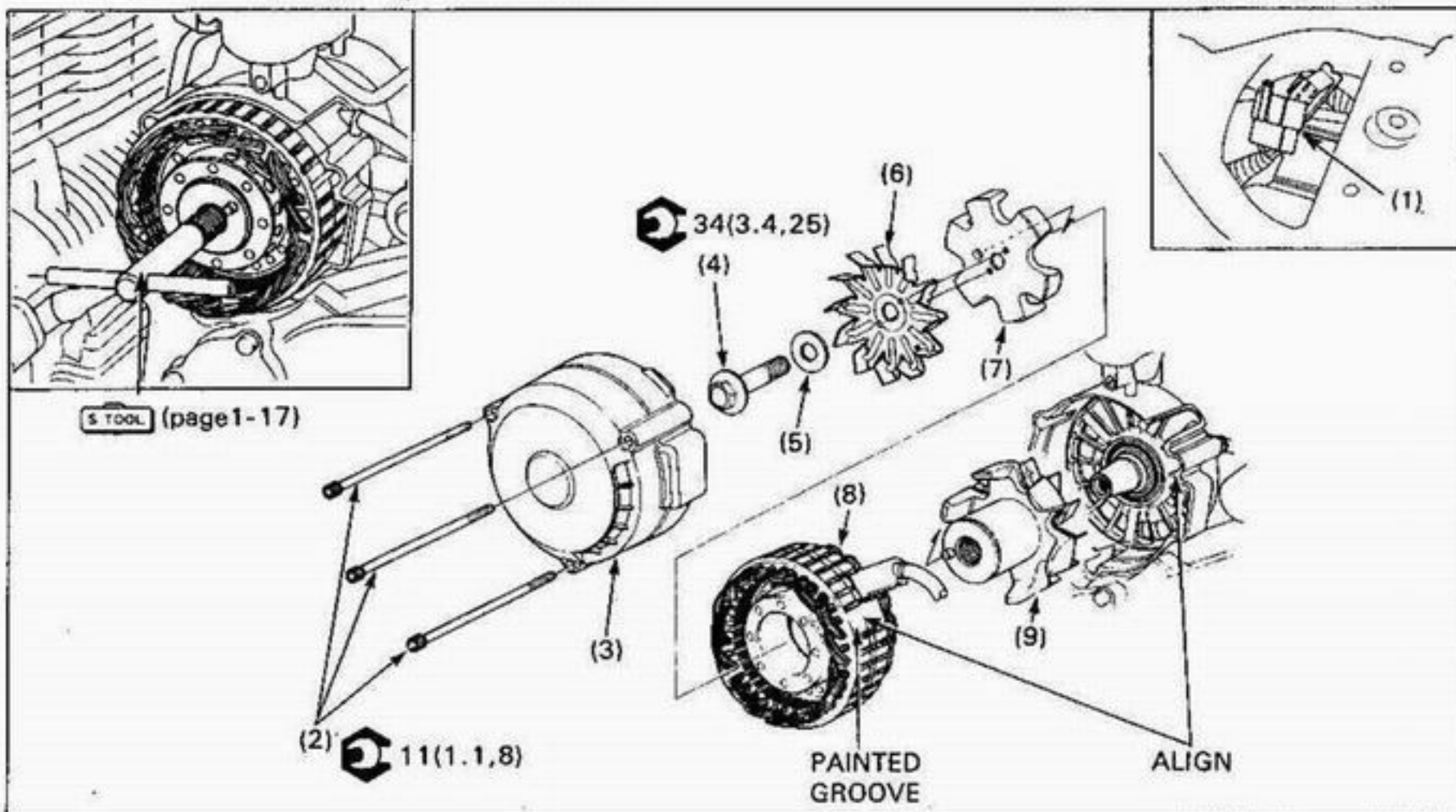


Alternator Removal/Installation



NOTE

- For alternator shaft/shaft bearing replacement, see page 9-12.

Requisite Service

- Fuel tank removal/installation (page 2-3)

Procedure	Qty	Remarks
Removal Order		Installation is in the reverse order of removal.
(1) Alternator wire connector	1	
(2) Alternator cover bolt	3	
(3) Alternator cover	1	
(4) Alternator rotor bolt	1	When removing and installing, shift the transmission into gear and apply the rear brake.
(5) Washer	1	
(6) Fan B	1	To install, align the holes with the holes in rotor B.
(7) Rotor B	1	Install with the hole aligned with the boss on rotor A.
(8) Stator assembly	1	At installation, align the painted groove with upper right groove for the alternator cover mounting bolt.
(9) Rotor A/fan A.	1	