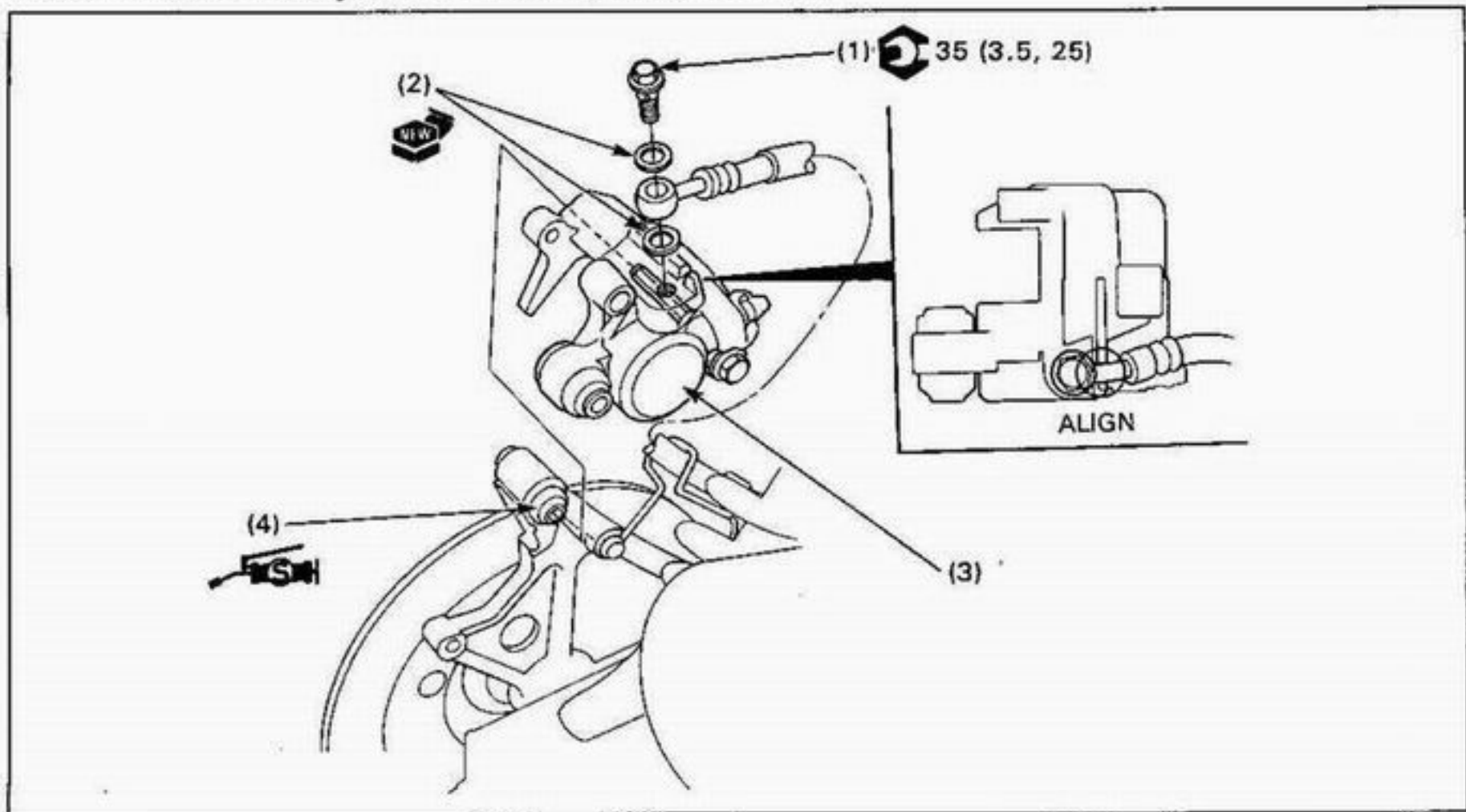


Rear Brake Caliper Removal/Installation



CAUTION

- A contaminated brake disc or pad reduces stopping power. Discard contaminated pads and clean a contaminated disc with a high quality brake degreasing agent.
- Spilled brake fluid will damage painted, plastic or rubber parts. Cover these parts when servicing the brake system.

Requisite Service

- Brake pad removal/installation (page 12-3).
- Brake fluid replacement/air bleeding (section 17 of the Common Service Manual)

Procedure	Qty	Remarks
Removal Order		Installation is in the reverse order of removal.
(1) Brake hose bolt	1	
(2) Sealing washer	2	
(3) Rear brake caliper assembly	1	
(4) Rubber boot	1	Install the boot into the bracket groove securely.