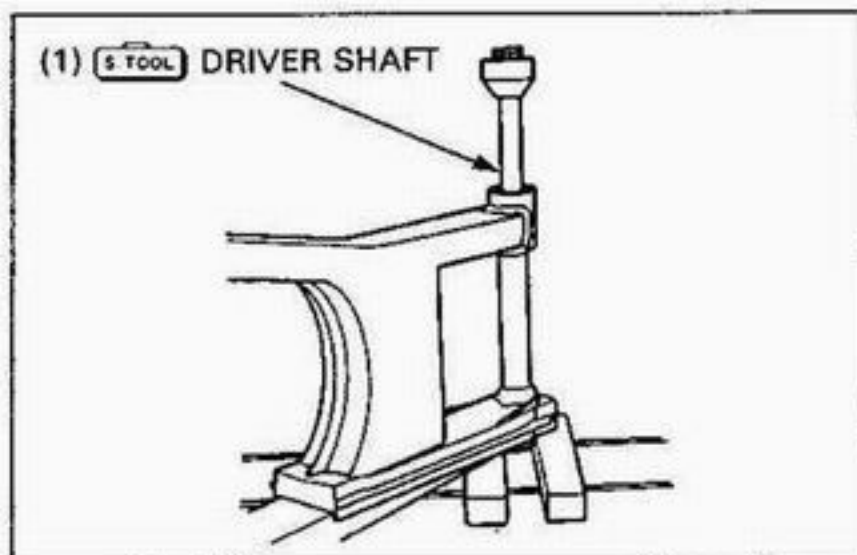


## Swingarm Pivot Bearing Replacement

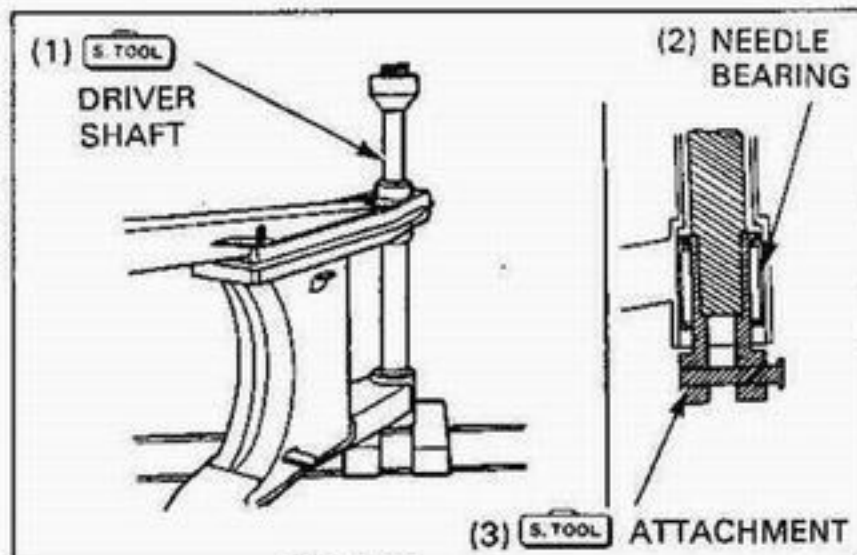
Press the right pivot bearing (ball bearing) out of swingarm.

**S. TOOL**  
Driver shaft 07946-MJ00100 or  
Driver 07949-3710001



Set the needle bearing remover onto the left pivot bearing (needle bearing) as shown.

**S. TOOL**  
Needle bearing remover attachment 07GMD-KT70200  
Driver shaft 07946-MJ00100

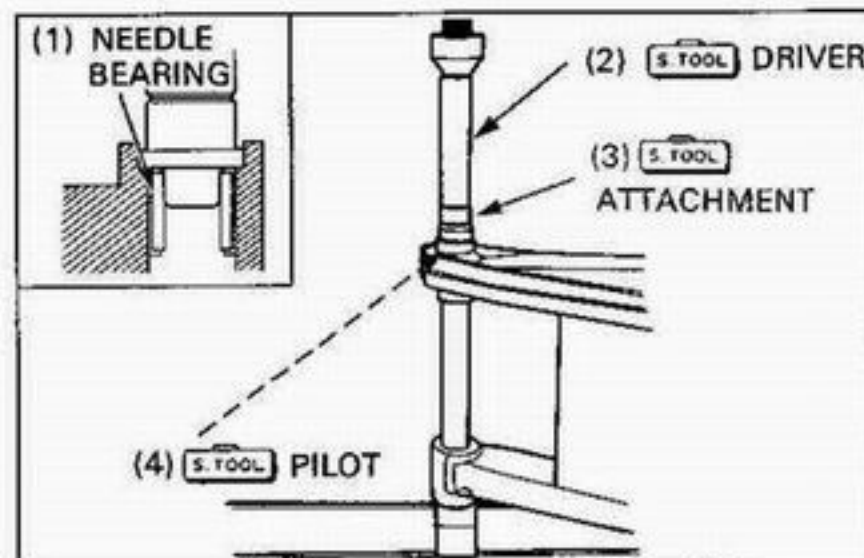


Press the needle bearing into the swingarm with the marked side facing out.

### NOTE

- The bearing surface should be flush with the pivot inside surface as shown.

**S. TOOL**  
Driver 07749-0010000  
Attachment, 28 × 30 mm 07946-1870100  
Pilot, 22 mm 07746-0041000



Press the ball bearing in until it bottoms in the swingarm.

**S. TOOL**  
Driver 07749-0010000  
Attachment, 32 × 35 mm 07746-0010100  
Pilot, 15 mm 07746-0040300

