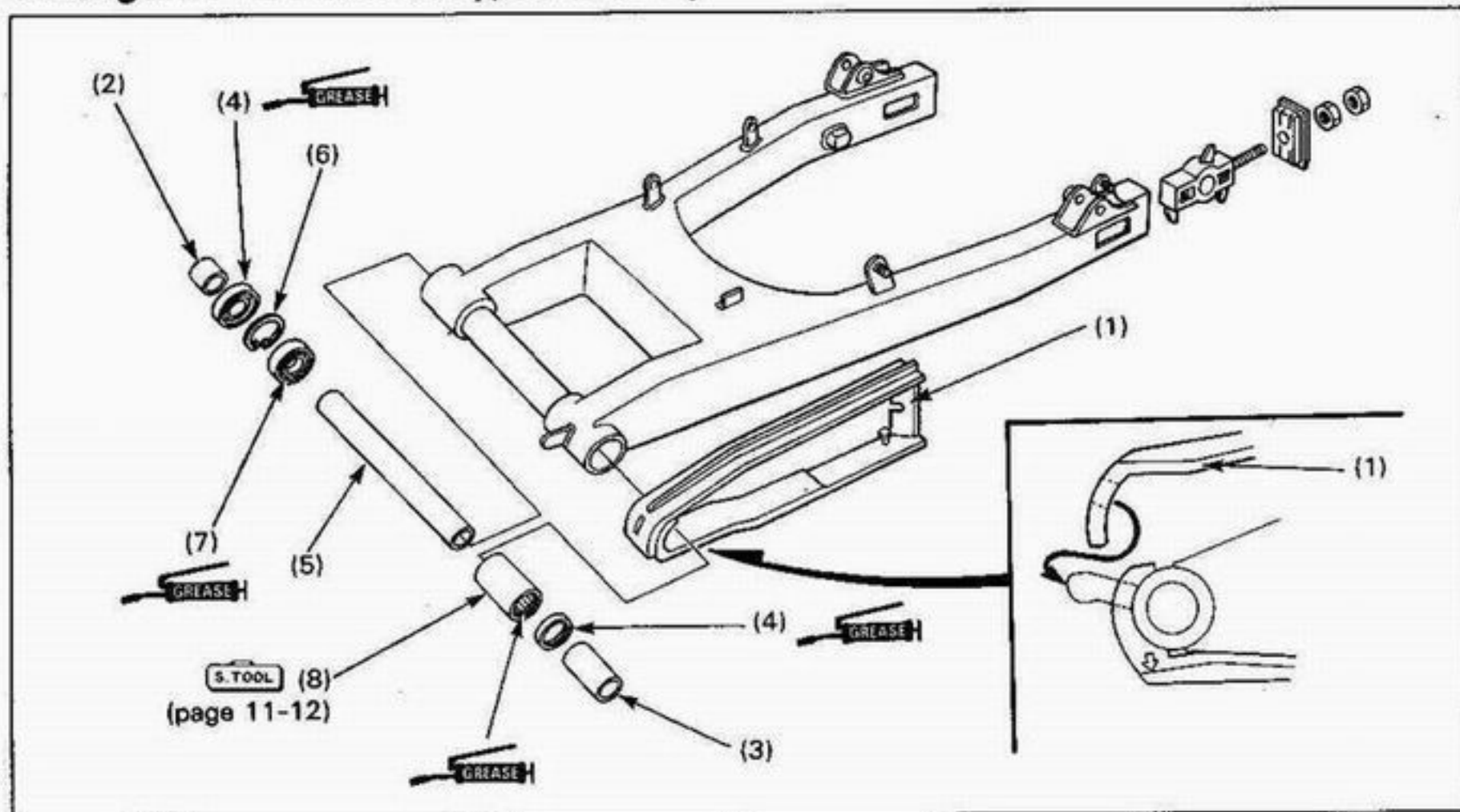


Swingarm Disassembly/Assembly



NOTE

- For pivot bearing replacement, see next page.

Requisite Service

- Swingarm removal/installation (page 11-9)

Procedure	Q'ty	Remarks
Disassembly Order		Assembly is in the reverse order of disassembly.
(1) Drive chain slider	1	Install the drive chain slider as shown.
(2) Right pivot collar	1	
(3) Left pivot collar	1	
(4) Dust seal	2	Apply grease to the lip.
(5) Distance collar	1	
(6) Snap ring	1	Install into the groove securely.
(7) Ball bearing	1	
(8) Needle bearing	1	