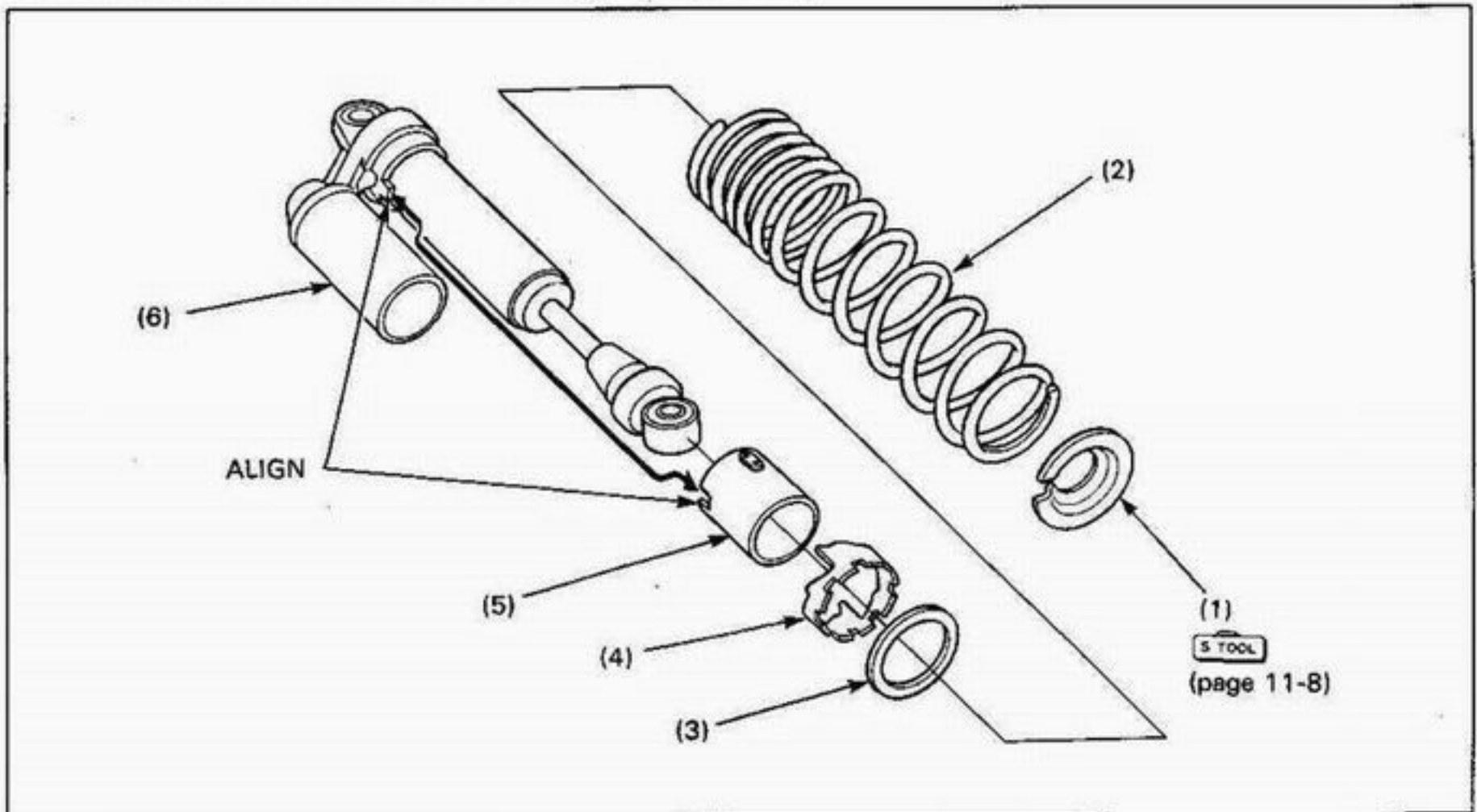


## Shock Absorber Disassembly/Assembly



## Requisite Service

- Shock absorber removal/installation (page 11-6)

Procedure		Q'ty	Remarks
(1)	Disassembly Order Lower seat	1	Assembly is in the reverse order of disassembly. See page 11-8. Install with tightly wound end facing up.
(2)	Spring	1	
(3)	Upper seat	1	
(4)	Preload adjuster	1	
(5)	Preload adjuster guide	1	
(6)	Damper unit assembly	1	