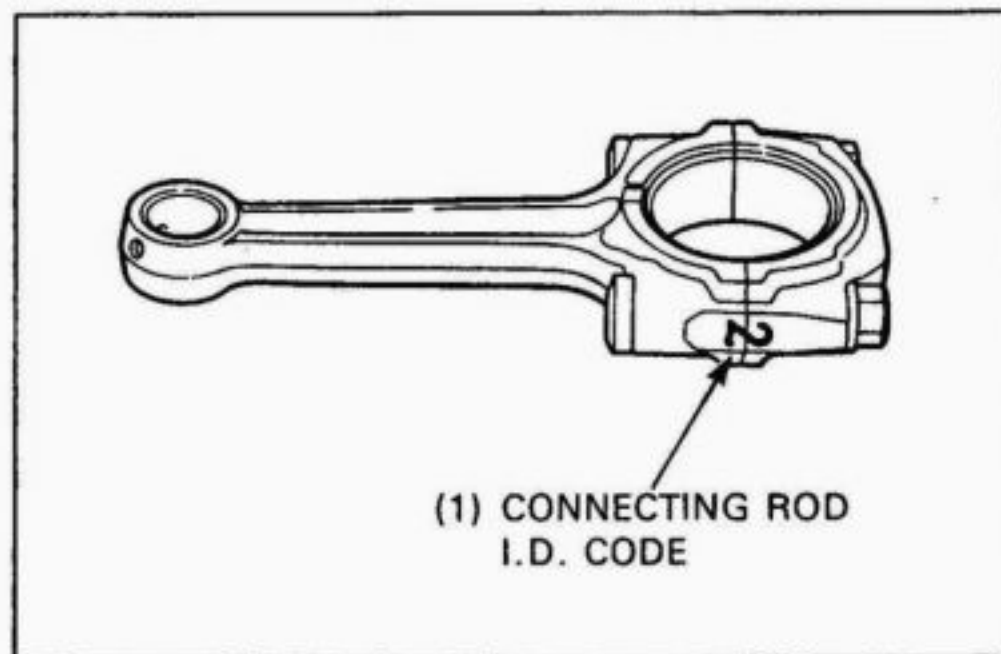


Connecting Rod Bearing Selection

Record the connecting rod I.D. code numbers on the rod.

NOTE

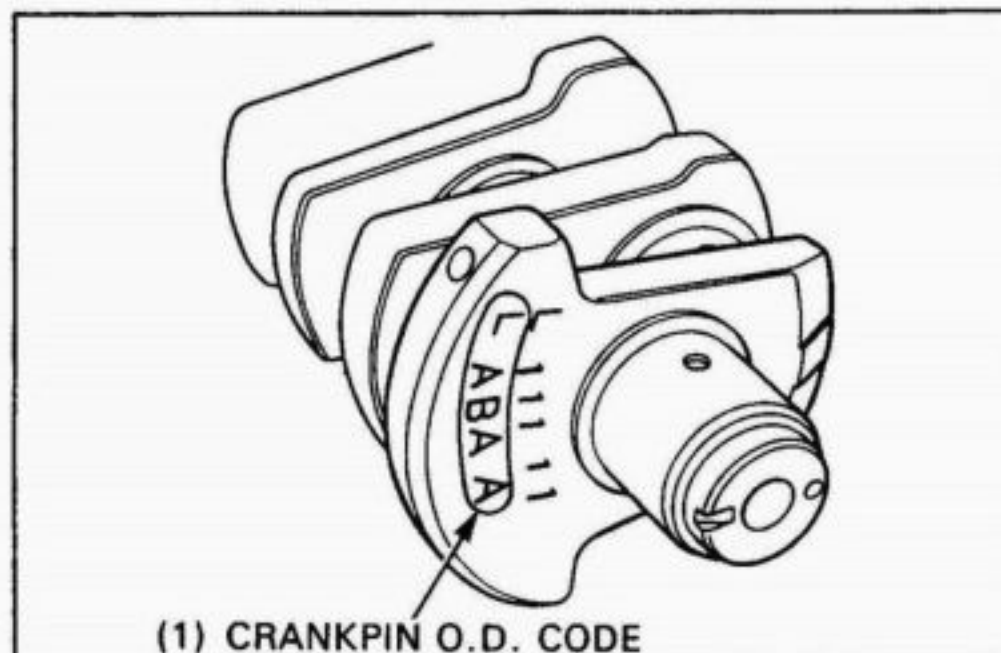
- The numbers (1 or 2) on the connecting rod are the codes for the connecting rod I.D.s.



Record the crankpin O.D. code letters from the crank weight.

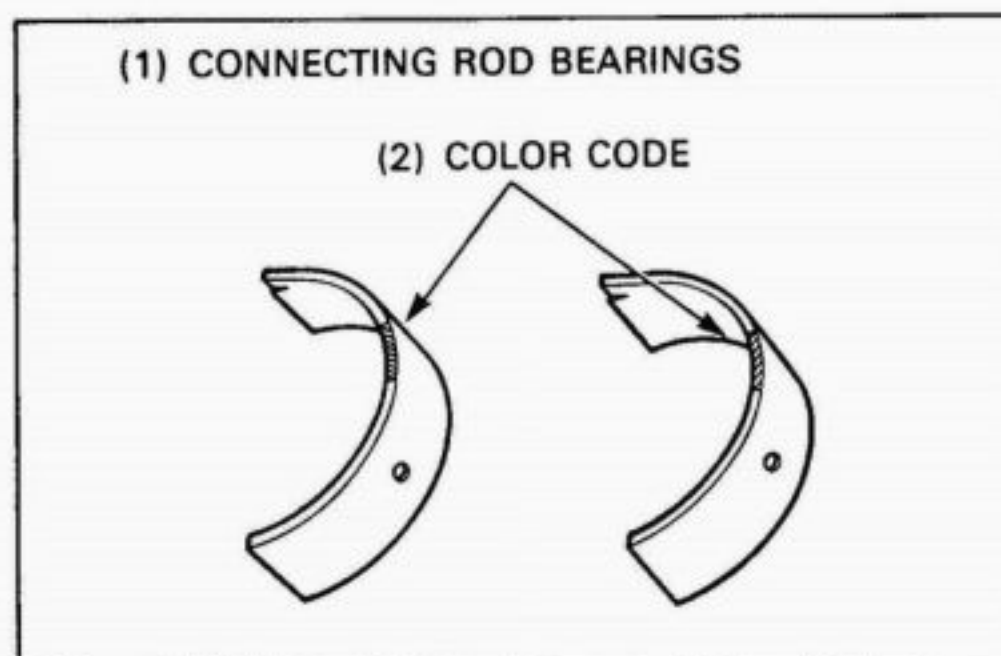
NOTE

- The letters (A or B) on the crank weight are the codes for the crankpin O.D.s, reading from the left.



Cross reference the crankpin and rod codes to determine the replacement bearing color code.

Connecting rod I.D. code		Crankpin O.D. code	
		A	B
		35.992-36.000 mm (1.4170-1.4173 in)	35.984-35.992 mm (1.4166-1.4170 in)
1	39.000-39.008 mm (1.5354-1.5357 in)	Yellow	Green
2	39.008-39.016 mm (1.5357-1.5360 in)	Green	Brown



Bearing thickness

Brown: Thick
Green: †
Yellow: Thin

Connecting Rod Replacement

Be sure to use the connecting rods having the same weight code in an engine.

CAUTION

- If a connecting rod having the different weight code is to be used, be sure that the difference in weight (code) is held within a single weight rank.

