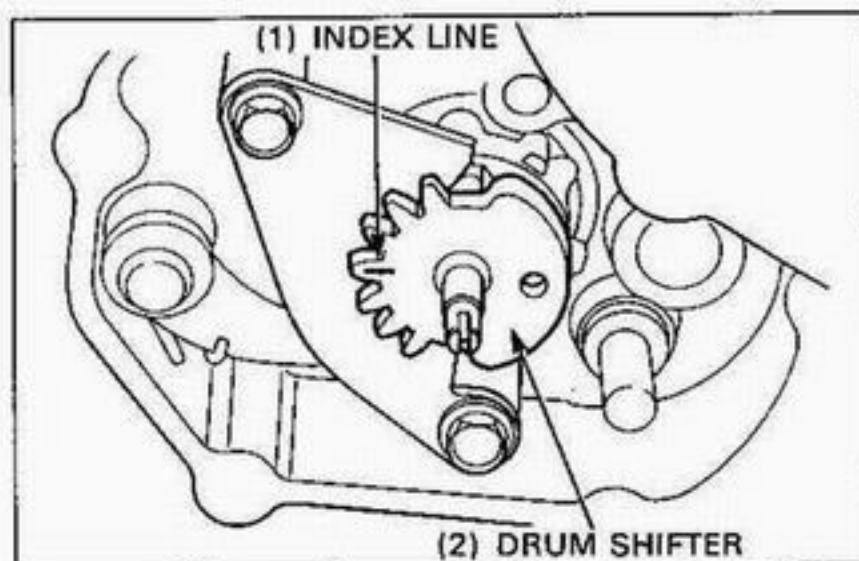


Gearshift Linkage Cover/Gearshift Spindle Assembly Installation

NOTE

- The transmission should be in neutral to install the linkage.
- With the transmission in neutral, the index line on the drum shifter teeth faces forward as shown.

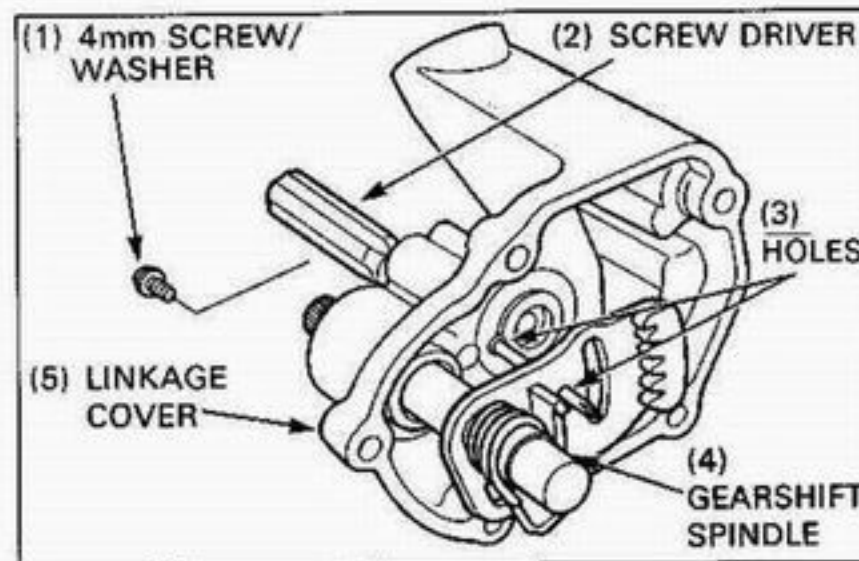


Remove the 4 mm screw and washer from gearshift linkage cover.

Install the gearshift spindle assembly in the gearshift linkage cover.

Align the holes in the gearshift spindle and linkage cover with a screwdriver. (Keep the screwdriver in place.)

Install the dowel pins and new gasket.

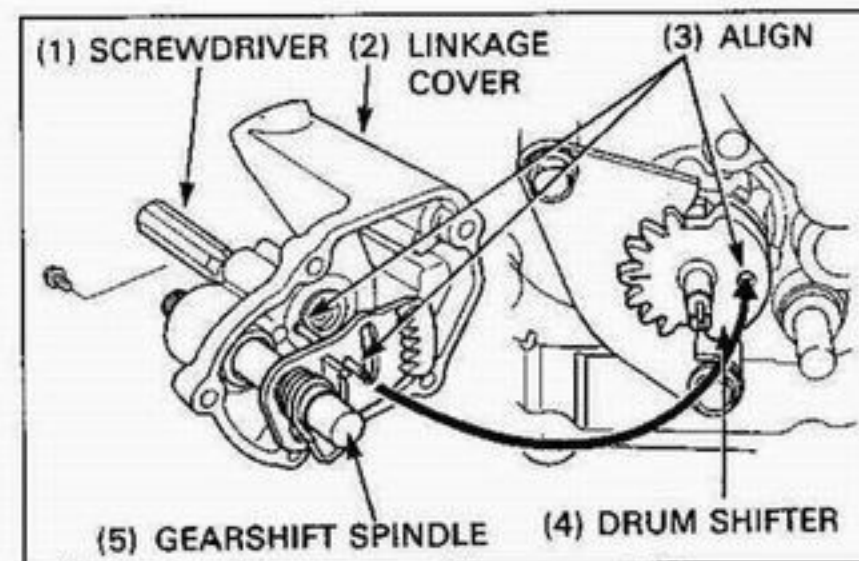


Install the linkage cover/gearshift spindle assembly with the screwdriver through the hole in the shifter.

Install and tighten the gearshift linkage cover bolts.

Torque: 12 N·m (1.2 kg·m, 9 ft·lb)

Remove the screwdriver, install the washer and 4 mm screw.



Neutral Switch Installation

Install the neutral switch joint, aligning the joint pin with the groove in the gearshift drum.

Install the neutral switch, aligning the switch pin of the switch with the cut-out in the switch joint.

