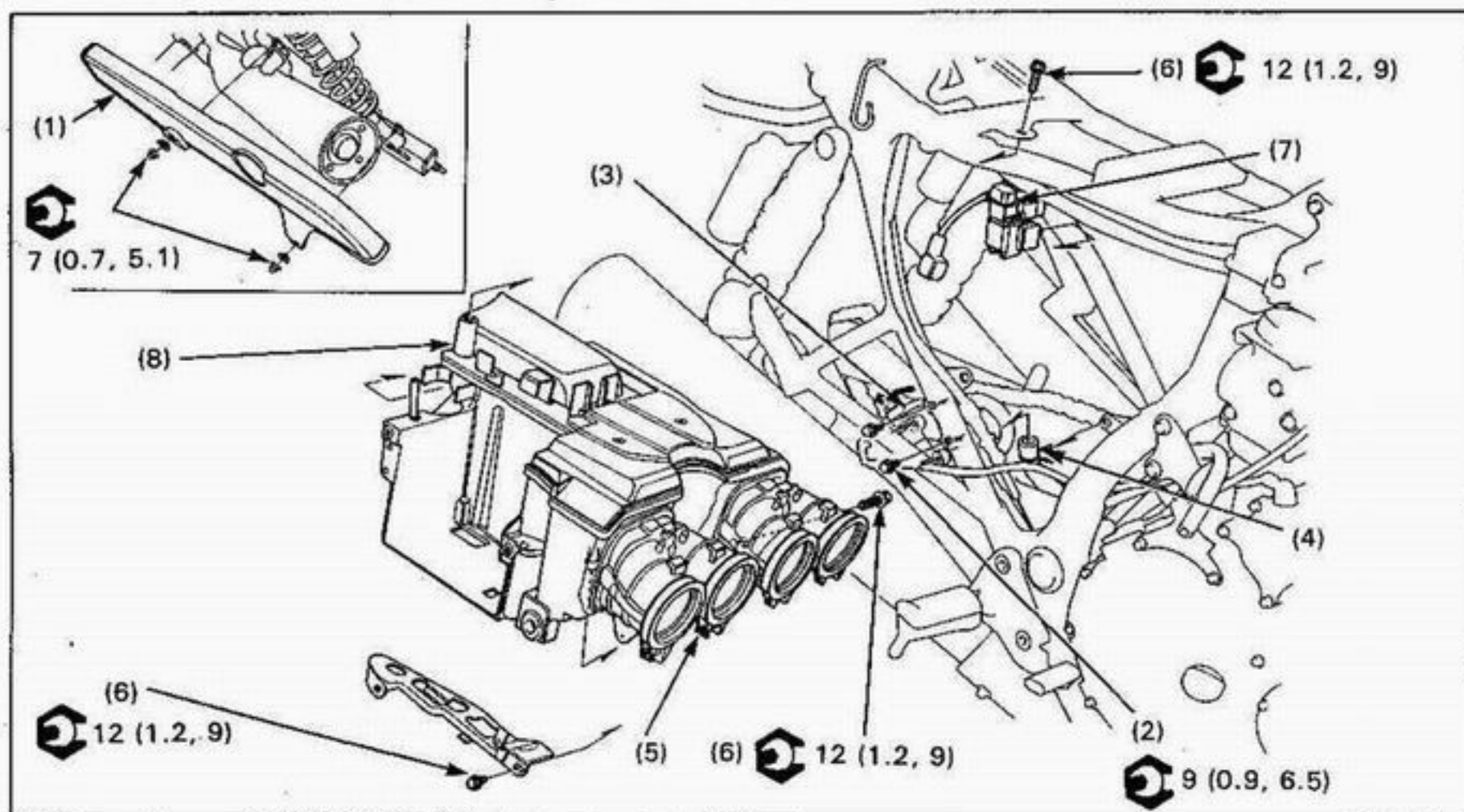


Air Cleaner Case Removal/Installation



Requisite Service

- Rear fairing removal/installation (page 2-3)
- Battery removal/installation (page 13-4)
- Fuel tank removal/installation (page 2-3)
- Rear wheel removal/installation (page 11-2)
- Rear fender removal/installation (page 2-4)

Procedure	Q'ty	Remarks
Removal Order		Installation is in the reverse order of removal.
(1) Drive chain cover	1	
(2) Rear master cylinder mounting bolt	2	
(3) Rear master cylinder	1	
(4) Air cleaner case drain tube	1	
(5) Connecting tube band screw	4	Only loosening.
(6) Air cleaner case mounting bolt	3	
(7) Starter relay switch	1	
(8) Air cleaner case assembly	1	Remove the air cleaner case rearward.