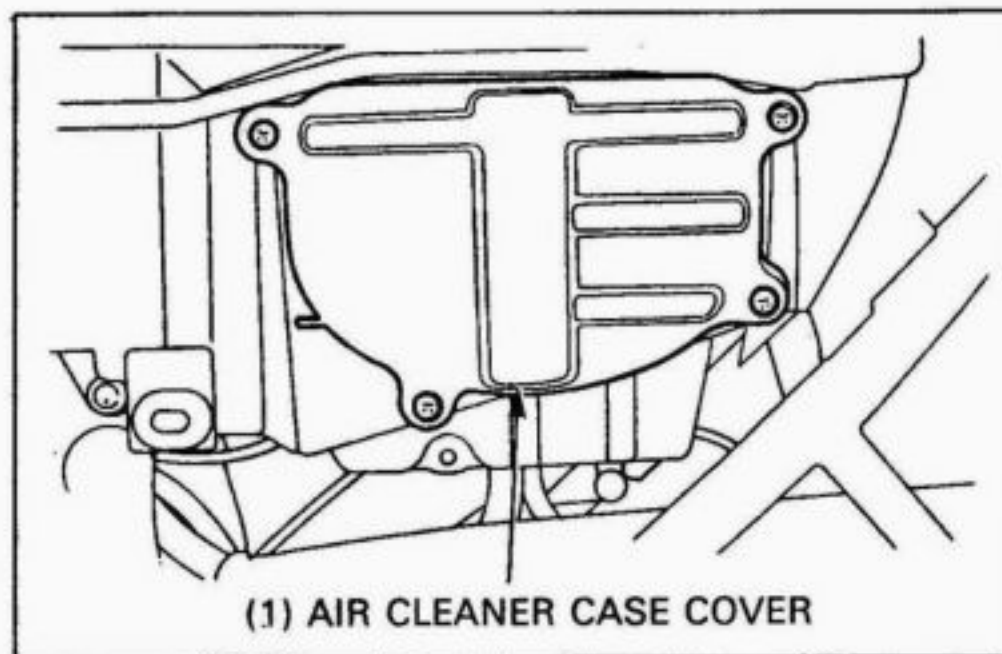


Air Cleaner

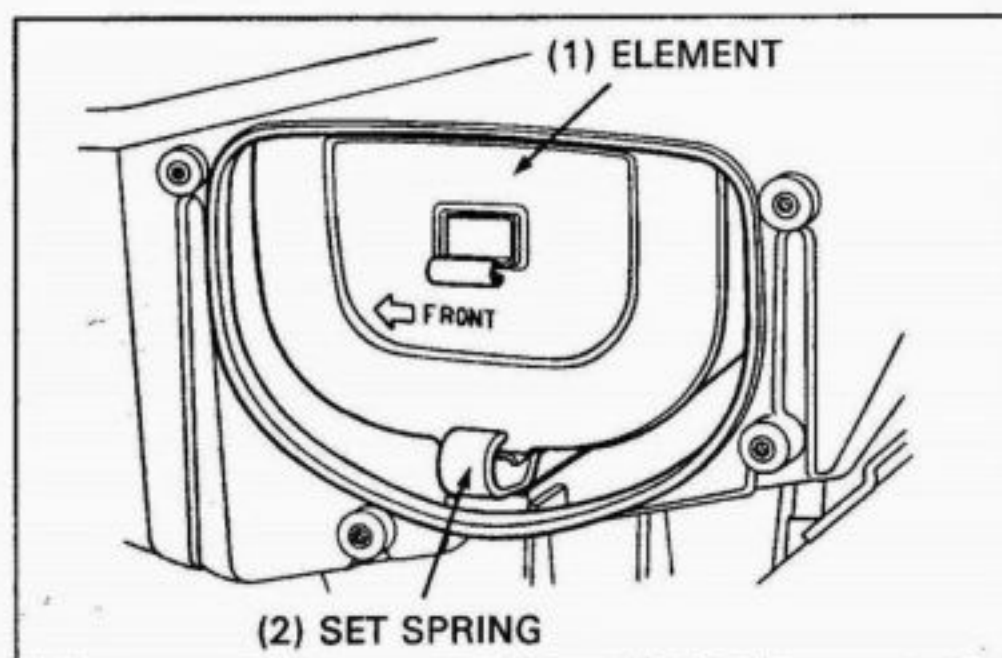
Remove the left side cover (page 2-2).
 Remove the air cleaner case cover.
 Pull the air cleaner element set spring out and remove the element.

Discard the air cleaner element in accordance with the maintenance schedule.



Install the air cleaner element with the ← mark forward.
 Install the set spring.

Install the removed parts in the reverse order of removal.



Carburetor Synchronization

NOTE

- For detailed instructions, refer to section 2 of the Common Service Manual. The information here only indicates locations of the plugs for the adapters and the synchronization adjusting screws.
- Before inspection, remove the fuel tank mounting bolts (page 2-3) and move the tank rearward without disconnecting the fuel tube.

Carburetor Vacuum Difference:
 Within 30 mm Hg (1.2 inHg)
 Base Carburetor: No.2 Carburetor

