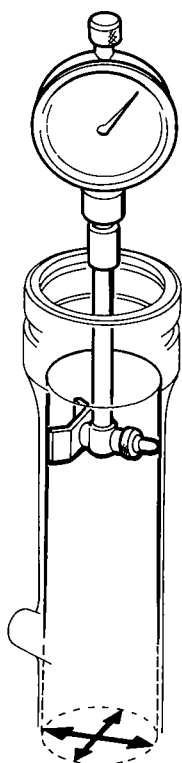


• FRONT BOTTOM CASE I.D.

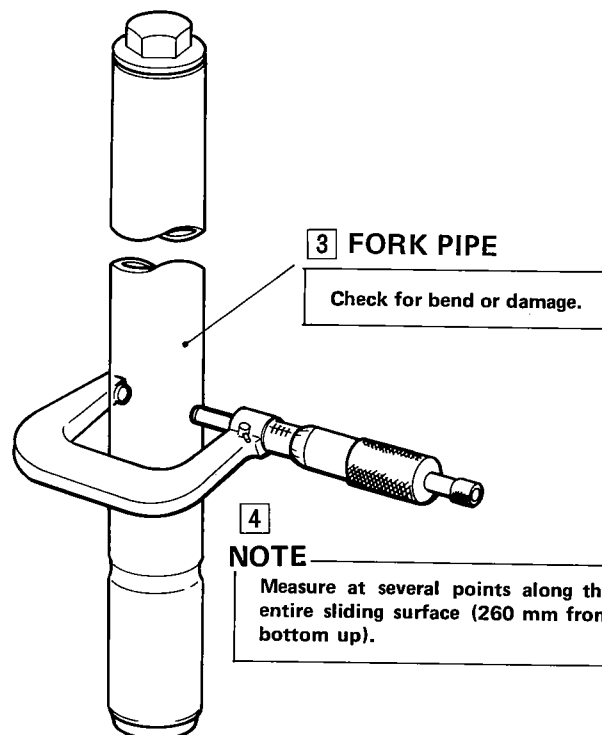
• FRONT FORK PIPE O.D.



**1**  
**NOTE**  
Measure at several points along the entire sliding face and in two directions.

**2**

Standard	Service Limit
31.042 – 31.104 mm (1.2221 – 1.2246 in.)	31.165 mm (Replace) (1.2270 in.)



**3** FORK PIPE  
Check for bend or damage.

**4**  
**NOTE**  
Measure at several points along the entire sliding surface (260 mm from bottom up).

**5**

Standard	Service Limit
30.915 – 30.950 mm (1.1271 – 1.2185 in.)	30.870 mm (Replace) (1.2153 in.)