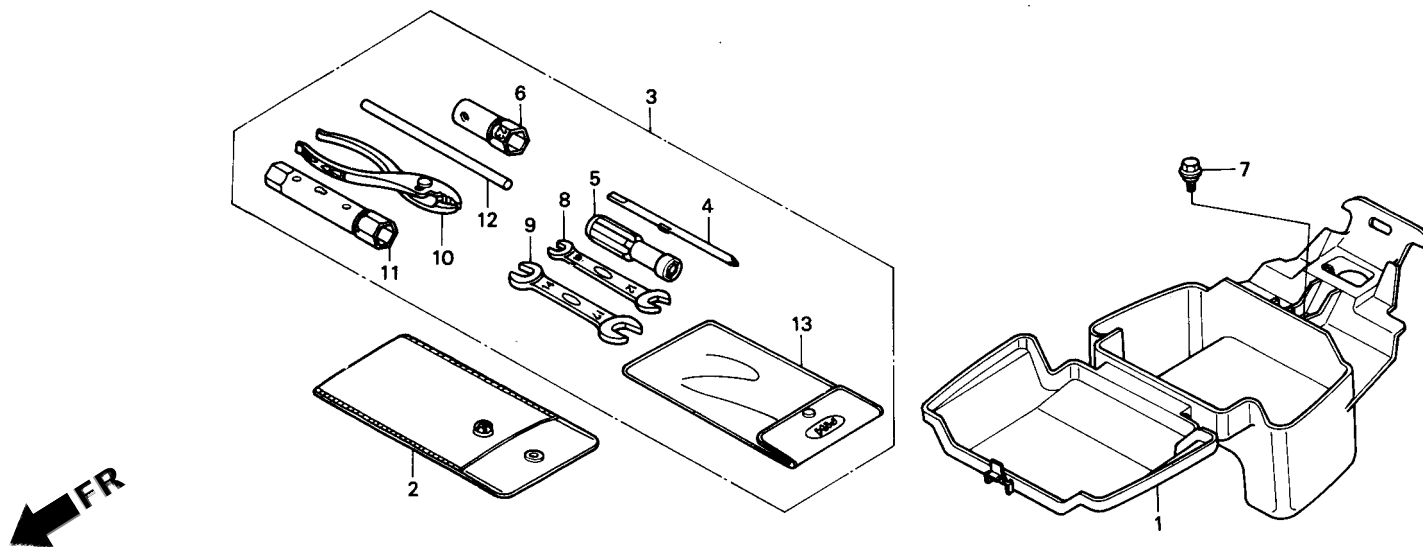


F - 28

Tools/Tool Box



3

Service item	F.R.T.	No.	Part Number	Description	Q'ty	Notes
BOX TOOL	0.1	1	80120-GN5-830	BOX, TOOL	1	
		2	83642-171-000	BAG, OWNERS MANUAL	1	
		3	89010-GN8-920	TOOL SET	1	
		4	89102-538-000	SHAFT, SCREW DRIVER	1	
		5	89103-538-000	GRIP	1	
		6	89214-041-000	WRENCH, BOX, 23MM	1	
		7	90111-162-000	BOLT, FLANGE, 6MM	1	
		8	99001-10120	SPANNER, 10X12	1	
		9	99001-14170	SPANNER, 14X17	1	
		10	99002-13500	PLIERS, 135	1	
		11	99004-16170	WRENCH, BOX, P16X17	1	
		12	99005-02000	BAR B, HANDLE	1	
		13	99008-01600	BAG, TOOL, 160MM	1	