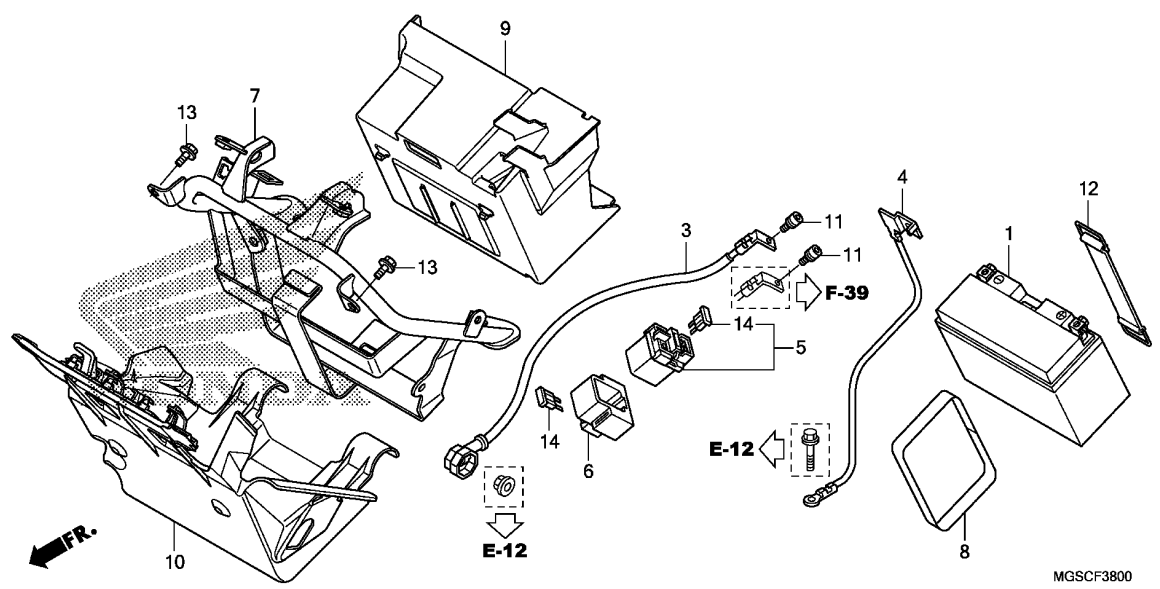


F-38

BATTERY

I 3



Ref. No.	L.O.N.	(Relative ref. Number) Description	F.R.T.
1	610100	BATTERY .....	0.2
3	612115	CABLE, STARTER MOTOR .....	1.2
4	610110	CABLE, NEGATIVE BATTERY .....	1.2
5	615113	SWITCH, STARTER MAGNETIC .....	0.7
7		(10)	
	4101B0	HOLDER, BATTERY BOX .....	1.2
9	410185	BOX, BATTERY .....	0.8

3

Ref. No.	Part No.	Description	Reqd. QTY	Serial No.	Parts catalogue code
			NC700D C		
1	31500-MGS-D31	BATTERY(YTZ12S)(GS YUASA) ...	1	-----	2ED,2F,3E,E,ED,F
	31500-KPB-B21	.....	1	-----	KO
	31500-MGS-T51	.....	1	-----	TH
	31500-MCF-643	.....	1	-----	U
3	32410-MGS-D20	CABLE, STARTER MOTOR .....	1		
4	32601-MGS-D20	CABLE, BATTERY EARTH .....	1		
5	35850-MT4-000	SWITCH ASSY., STARTER MAGNETIC	1		
6	35856-KBG-007	RUBBER, SHOCK .....	1		
7	50325-MGS-D70	STAY COMP., BATTERY .....	1		
8	50328-KSV-J00	TAPE, BATTERY LIFT .....	1		
9	50335-MGS-D70	BOX, BATTERY .....	1		
10	50336-MGS-D70	COVER, BATTERY BOX .....	1		
11	90111-MR5-000	BOLT, SOCKET, 5X9 .....	2		
12	95012-17001	BAND F, BATTERY(155MM) .....	1		
13	95701-06012-00	BOLT, FLANGE, 6X12 .....	2		
14	98200-33000	FUSE, BLADE(30A) .....	2		