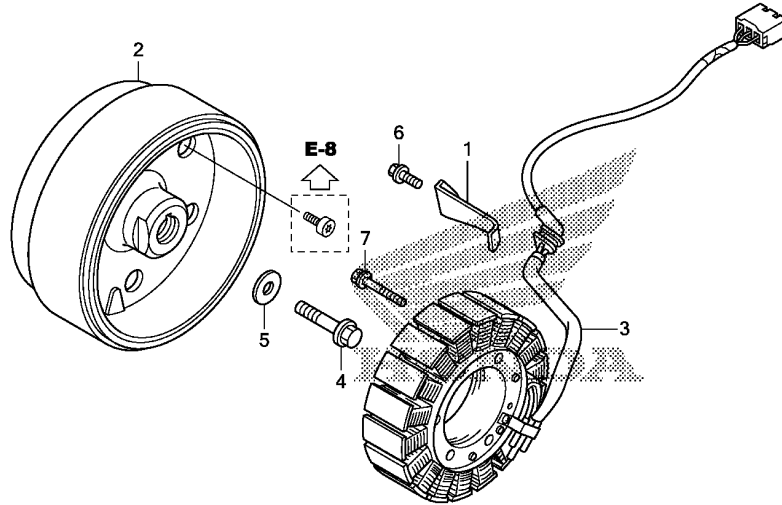


E-10

GENERATOR

D13



MGSC1000

Ref. No.	L.O.N.	(Relative ref. Number) Description	F.R.T.
2	613105	ROTOR OR FLYWHEEL .....	2.4
3	6131A3	STATOR .....	2.4

Ref. No.	Part No.	Description	Reqd. QTY	Serial No.	Parts catalogue code
			NC700D C		
1	11333-MGS-D30	CLAMP, A.C. GENERATOR CORD ..	1		
2	31110-MGS-D21	FLYWHEEL COMP.(MITSUBA) .....	1		
3	31120-MGS-D31	STATOR COMP.(MITSUBA) .....	1		
4	90025-MEW-920	BOLT, FLANGE, 12X50(UBS) ....	1		
5	90403-MEW-920	WASHER, 12.5X34X5 .....	1		
6	96001-06014-00	BOLT, FLANGE, 6X14 .....	1		
7	96001-06040-00	BOLT, FLANGE, 6X40 .....	4		

2