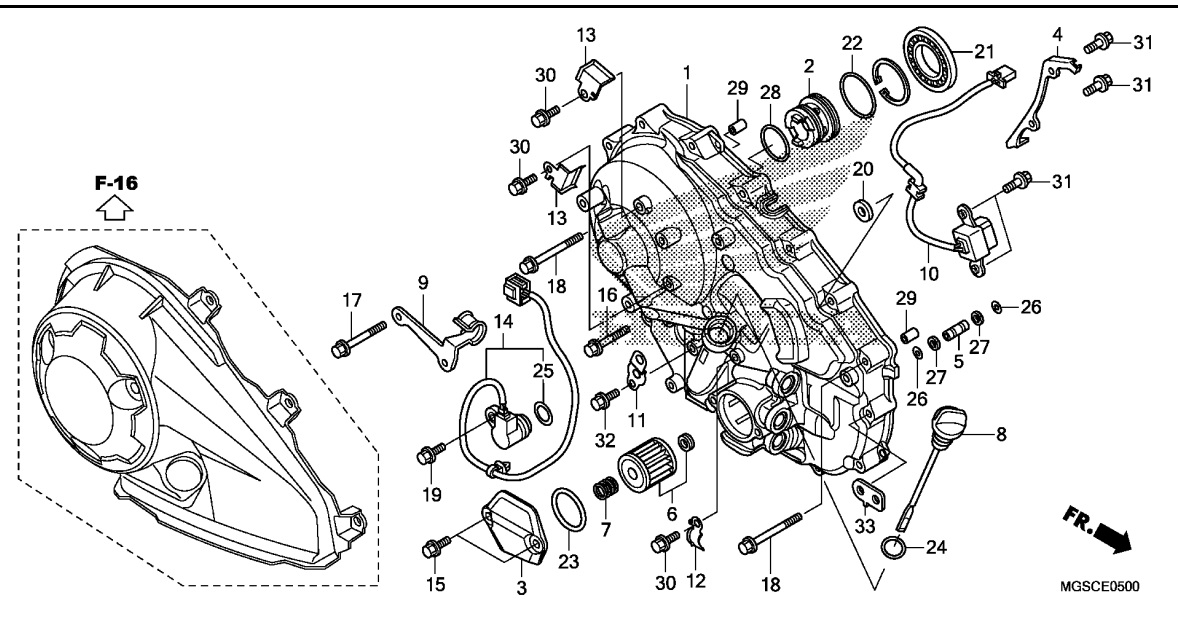


E-5

RIGHT CRANKCASE COVER

D 7



Ref. No.	L.O.N.	(Relative ref. Number) Description	F.R.T.
1	110159	COVER, CRANKCASE :RIGHT	2.1
2		(22,28)	
2	2121P7	COLLAR, OIL GUIDE	1.7
6		(3,7,23)	
6	113127	ELEMENT, OIL FILTER	1.1
10	614110	GENERATOR, IGNITION PULSE	1.8
14	6171F7	SENSOR, SHIFT SPINDLE ANGLE	1.3
21	2121P6	BEARING, DUAL CLUTCH TRANSMISSION	1.6

Ref. No.	Part No.	Description	Reqd. QTY	Serial No.	Parts catalogue code
			NC700D C		
1	11330-MGS-D20	COVER COMP., R. CRANKCASE	1		
2	11332-MGS-D20	COLLAR, OIL GUIDE	1		
3	11337-MGS-D20	COVER, OIL FILTER	1		
4	11339-MGS-D20	CLAMPER, SOLENOID CORD	1		
5	15104-MGS-D20	PIPE, OIL PASS	1		
6	15412-MGS-D21	ELEMENT, OIL FILTER	1		
7	15414-MEB-670	SPRING, OIL FILTER	1		
8	15650-MGS-D20	GAUGE, OIL LEVEL	1		
9	22821-MGS-D20	STAY, FUEL HOSE	1		
10	30300-MGS-D21	GENERATOR ASSY., PULSE(TOYO)	1		
11	32171-MGS-D20	STAY, HARNESS CLIP(B)	1		
12	32172-MGS-D70	STAY, HARNESS	1		
13	32173-MGS-D70	STAY, HARNESS	2		
14	38810-MGS-D21	SENSOR ASSY., ANGLE	1		
15	90006-GHB-630	BOLT, FLANGE, 6X16(NSHF)	2		
16	90006-GHB-680	BOLT, FLANGE, 6X28(NSHF)	1		
17	90006-GHB-710	BOLT, FLANGE, 6X40(NSHF)	13		
18	90006-GHB-730	BOLT, FLANGE, 6X50(NSHF)	2		
19	90011-MGE-D00	BOLT, KNOCK, 6MM	1		
20	90488-425-000	WASHER, SEALING, 6MM	1		
21	91029-MGS-D21	BEARING, RADIAL BALL, 40X68X7.5	1		
22	91302-MGS-D20	O-RING, 35X2.2	1		
23	91302-PA9-003	O-RING, 39.8X2.2(ARAI)	1		
24	91307-035-000	O-RING, 18X3	1		

2