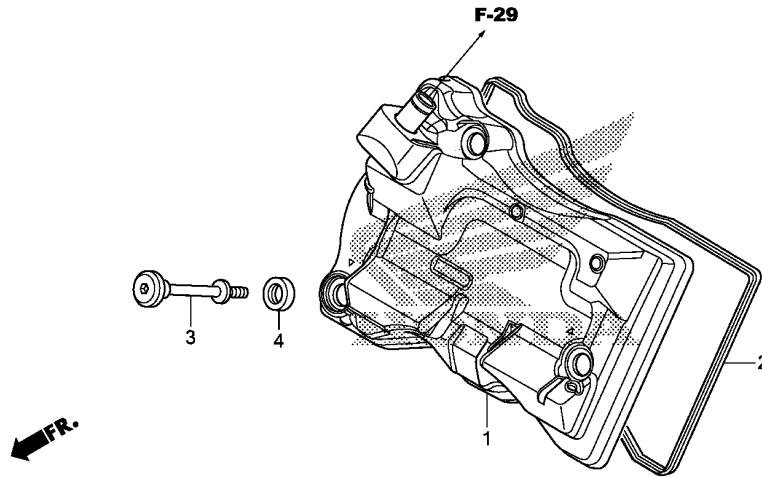


E-1

CYLINDER HEAD COVER

D 1



MGSC0100

| Ref. No. | L.O.N. | (Relative ref. Number) Description | F.R.T. |
|----------|---------------|------------------------------------|--------|
| 1 | 1111C4 | COVER, CYLINDER HEAD | 1.8 |
| 2 | (4) 1111D2 | GASKET, CYLINDER HEAD COVER .. | 1.8 |

| Ref. No. | Part No. | Description | Reqd. QTY NC700D C | Serial No. | Parts catalogue code |
|----------|---------------|--------------------------------|--------------------------|------------|----------------------|
| 1 | 12300-MGS-D20 | COVER ASSY., CYLINDER HEAD .. | 1 | | |
| 2 | 12391-MGS-D30 | GASKET, CYLINDER HEAD COVER .. | 1 | | |
| 3 | 90017-MGS-D30 | BOLT, HEAD COVER | 3 | | |
| 4 | 90543-MV9-670 | RUBBER, MOUNTING | 3 | | |

2