



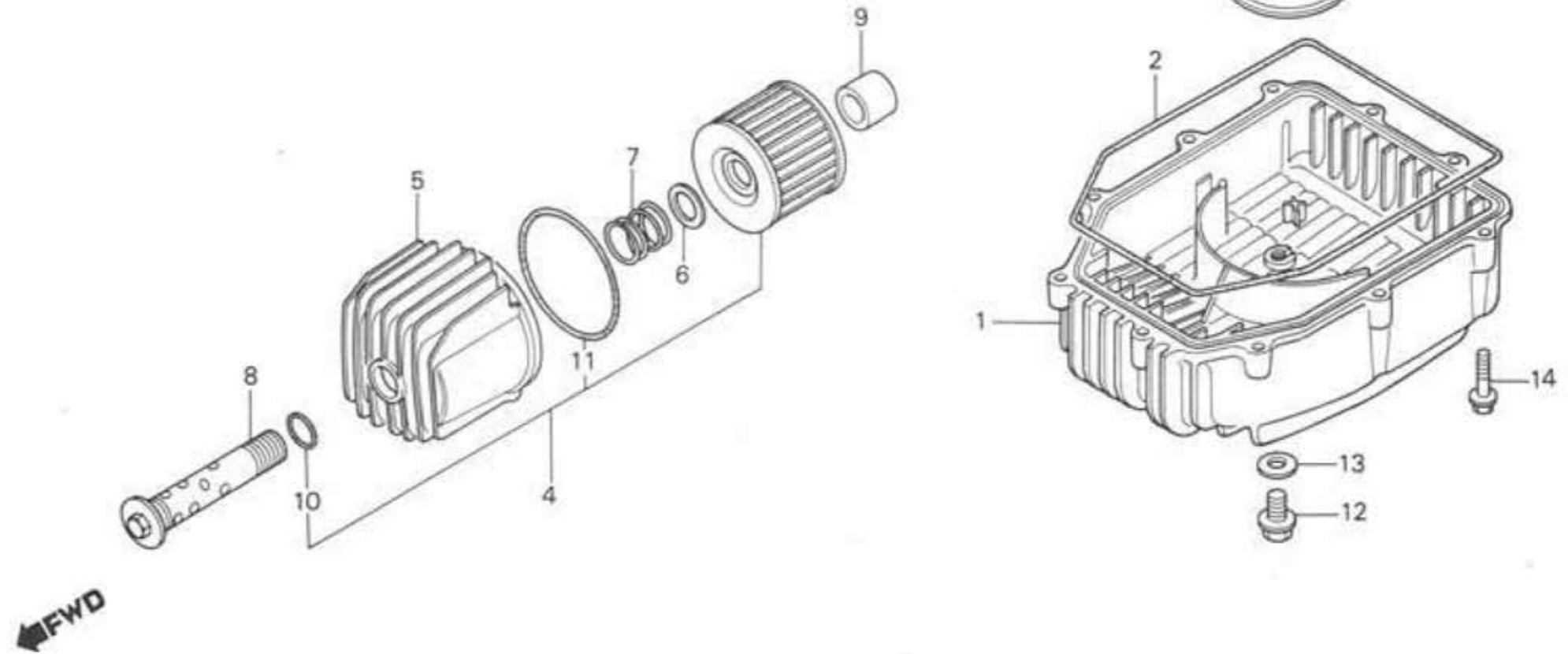
E-12

Oil filter • Oil pan

Filtre à huile • Carter inférieur

ÖlfILTER • Oelwanne

Filtro de aceite •
Cárter del aceite



B426-12

Service item	F.R.T.	Ref. No.	Part No.	Description	Reqd. No. CB650z	Serial No.	Area code
PAN, OIL	0.5	1	11210-426-000	PAN, OIL	1		
STRAINER, OIL		2	11398-323-000	BASKET, OIL PAN	1		
ELEMENT SET, OIL FILTER	0.2	3	15150-426-000	STRAINER, OIL	1		
INC. RELATIVE PART		4	15410-426-000	ELEMENT SET, OIL FILTER	1		
		5	15411-426-000	CASE, OIL FILTER	1		
		6	15414-300-000	SEAT, OIL FILTER SPRING	1		
		7	15415-300-000	SPRING, OIL FILTER ELEMENT SET	1		
		8	15420-333-000	BOLT COMP., OIL FILTER CENTER	1		
		9	15423-333-000	COLLAR, OIL FILTER BOLT	1		
		10	91302-377-000	O-RING, 15X2.5	3		
		11	91316-300-003	O-RING, 89X4.5	1		
			91316-300-005	O-RING, 89X4.5	1		
		12	92800-12000	BOLT, DRAIN PLUG, 12MM	1		