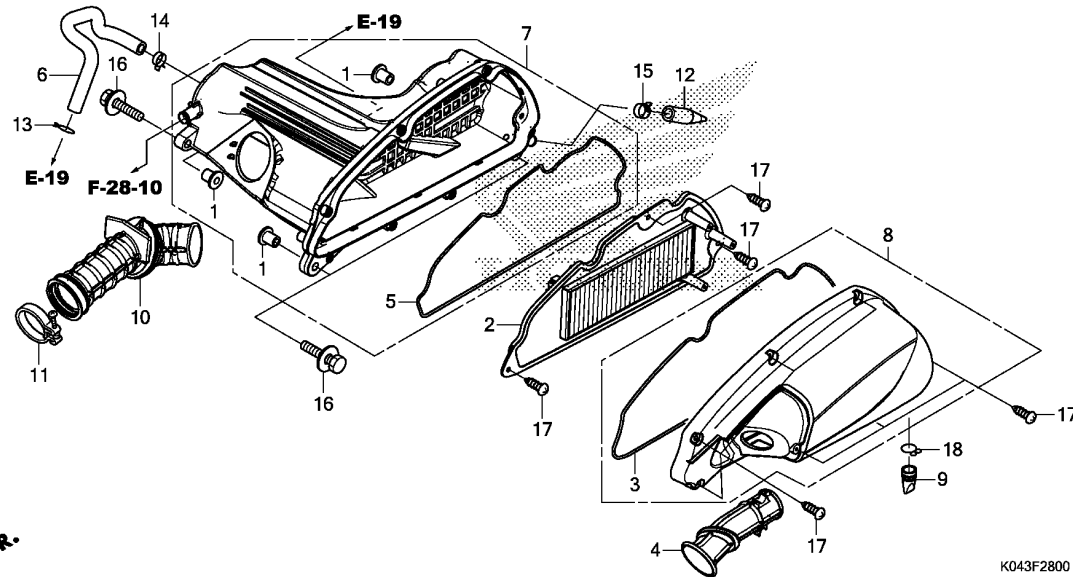


F-28

AIR CLEANER

H 7



Ref. No.	L.O.N.	(Relative ref. Number) Description	F.R.T.
2		(3,5)	
312105		ELEMENT, AIR CLEANER	0.2
7	3121A5	CASE, AIR CLEANER	0.7
8		(4)	
312102		COVER, AIR CLEANER CASE	0.3
10	3121B6	TUBE, AIR CLEANER CONNECTING -	0.7

3

Ref. No.	Part No.	Description	Reqd. QTY		Serial No.	Parts catalogue code
			NSS 300 D	NSS 300A D		
1	17208-GR1-010	COLLAR, AIR CLEANER SETTING -	3	3		
2	17210-K04-930	ELEMENT COMP., AIR CLEANER ..	1	1		
3	17213-KTW-900	SEAL, AIR CLEANER	1	1		
4	17215-K04-930	DUCT, AIR CLEANER	1	1		
5	17218-KFG-000	SEAL, AIR CLEANER	1	1		
6	17218-K04-930	TUBE, BREATHER	1	1		
7	17225-K04-931	CASE SUB ASSY., AIR CLEANER -	1	1		
8	17235-K04-930	COVER SUB ASSY., AIR CLEANER	1	1		
9	17236-KVB-900	PLUG, AIR CLEANER DRAIN	1	1		
10	17253-K04-931	TUBE, AIR CLEANER CONNECTING	1	1		
11	17255-K04-930	BAND, AIR CLEANER CONNECTING TUBE(52)	1	1		
12	17261-KSV-J00	TUBE, DRAIN	1	1		
13	90661-GHB-630	CLAMP B, TUBE, 14.5MM	1	1		
14	90682-SAO-671	CLAMP, CANISTER HOSE	1	1		
15	91406-MS8-000	CLAMP, TUBE(D14.5)	1	1		
16	93404-06030-00	BOLT-WASHER, 6X30	3	3		
17	93903-25480	SCREW, TAPPING, 5X20	10	10		
18	95002-80000	CLIP, TUBE(C12)	1	1		